

# Precision rolled ball screws catalogue

侯磊, 18072709166, [houleib@brjdkj.com](mailto:houleib@brjdkj.com)

杭州博瑞机电科技有限公司

杭州市滨江区庙后王路251号全量科创园160-2号





# Contents

<b>Introduction</b> .....	<b>4</b>	<b>Product range</b> .....	<b>21</b>
Product description .....	5	SD/BD/SH miniature screws .....	22
Product overview .....	6	SDS/BDS/SHS miniature screws in stainless steel .....	24
<b>Selection guide</b> .....	<b>8</b>	SP/BP high-performance miniature screws .....	26
Technical concepts .....	9	SX/BX universal screws .....	28
Introduction to Ewellix ball screws.....	9	Dedicated flanges for SX/BX nuts.....	30
Basic dynamic load carrying capacity ( $C_a$ ) .....	9	SND/BND precision screws, DIN standard 69051 .....	32
Nominal fatigue life $L_{10}$ .....	9	PND preloaded screws, DIN standard 69051 .....	34
Service life .....	9	SN/BN precision screws .....	36
Equivalent dynamic load .....	10	PN preloaded screws .....	38
Basic static load carrying capacity ( $C_{0a}$ ) .....	10	SL/TL long lead screws.....	40
Critical rotating speed for screw shafts .....	10	SLT/TLT rotating nut .....	42
Permissible speed limit .....	10	Shaft end combinations .....	44
Screw shaft buckling .....	11	Standard machine ends .....	45
Lubrication.....	11	FLBU ball screw support bearings .....	50
Efficiency and back-driving .....	11	PLBU ball screw support bearings .....	52
Axial play and preload .....	11	BUF ball screw support bearings .....	54
Static axial stiffness of a complete assembly.....	12	Examples of customized nuts .....	56
Materials, heat treatment and coatings .....	12	Manufacturing tolerances .....	57
Operating temperature .....	13	Ordering key .....	58
Ball screw support bearings .....	13	<b>Mounting instructions and support</b> .....	<b>60</b>
Designing the screw shaft ends.....	13	Assembly procedure.....	61
Critical applications.....	13	Storage .....	61
Working environment .....	13	Alignment.....	61
Calculation formulae.....	14	Lubrication.....	61
Calculation example for a ball screw .....	17	Removing the nut / assembling the nut on the shaft.....	62
Lead precision .....	19	Wiper assembly .....	62
Manufacturing precision.....	19	Starting-up the screw .....	62
Ewellix high precision rolled ball screws.....	19	Service range.....	63
Lead precision .....	19	Design calculation and inquiry form.....	64

# The heritage of innovation

Ewellix is a global innovator and manufacturer of linear motion and actuation solutions. Today, our state-of-the-art linear solutions are designed to increase machine performance, maximise uptime, reduce maintenance, improve safety and save energy.

## Technology leadership

Our journey began **over 50 years** ago as part of the SKF Group, and our history with SKF provided us with the **expertise to continuously develop new technologies** and use them to create cutting edge products that offer our customers a competitive advantage.

In 2019, we became independent from SKF and changed our name to Ewellix. We are proud of our heritage. This gives us a unique foundation on which to build an agile business with engineering excellence and innovation as our core strengths.

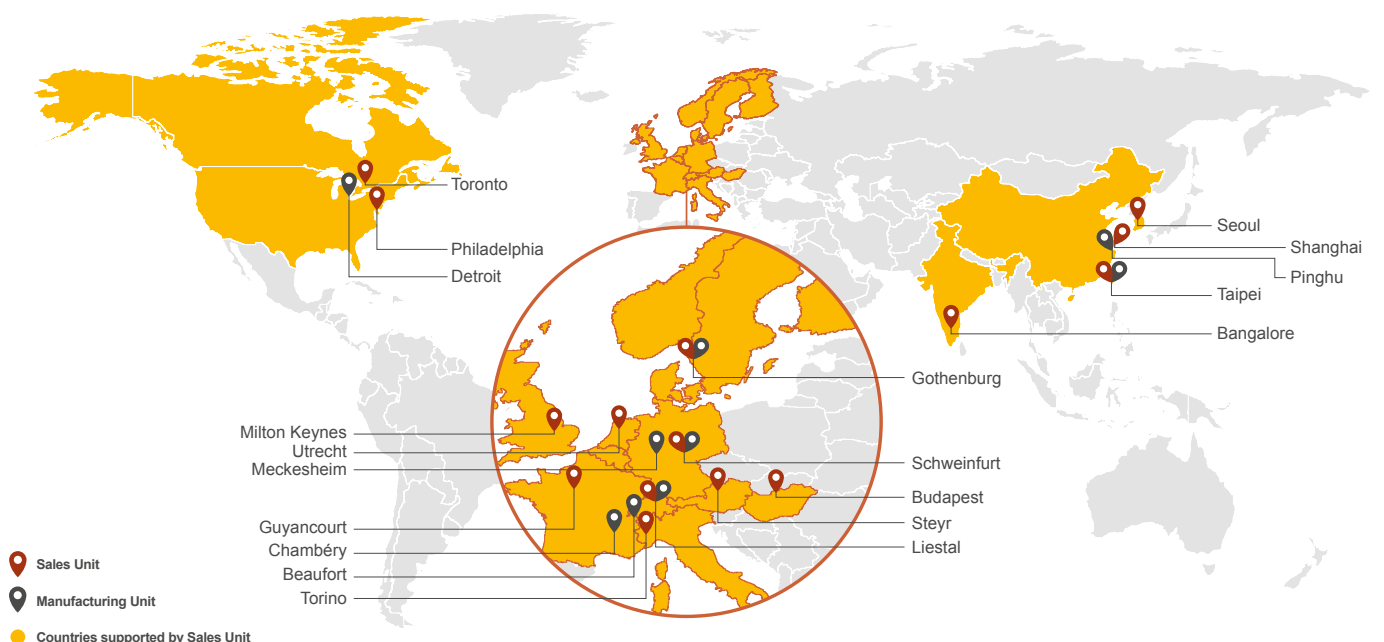
## Global presence and local support

With our **global** presence, we are uniquely positioned to deliver **standard components and custom-engineered solutions**, with full technical and applications support around the world. Long standing relationships with our distributor partners allow us to support customers in a variety of different industries. At Ewellix, we don't just provide products; **we engineer integrated solutions** that help customers realise their ambitions.

 **1 400 employees**

 **16 sales units**

 **9 factories**



# Trusted engineering expertise

Our industry is in motion; pushing towards solutions that reduce environmental impact and leverage new technology. We provide technical and manufacturing expertise to overcome our customers' challenges.

## Engineering for the future

We work in a **wide range of industries**, where our solutions provide key functionality for business critical applications.

For the **medical industry**, we provide precision components for use in core medical equipment.

Our unparalleled understanding of **industrial automation** systems is based on decades of research into advanced automation components and techniques

Our deep knowledge of **mobile machinery** provides powerful and reliable electromechanical solutions for the harshest conditions. In an **industrial distribution** setting, we supply linear expertise to our partners, empowering them to serve customers with greater efficiency

## We offer excellence

We have a **unique understanding of linear equipment** and how it's integrated in customers' applications to provide the best performance and machine efficiency.

**We assist our customers** by creating equipment that runs faster, longer and safer and that is sustainable.

We provide a wide variety of **linear motion components** and **electromechanical actuators** for equipping any automation application, helping our customers **reduce its footprint, energy use and maintenance**.

We push for lower energy consumption that **increases productivity and reduces the environmental impact**.

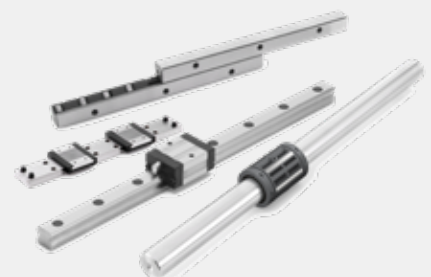
Actuation systems



Ball and roller screws

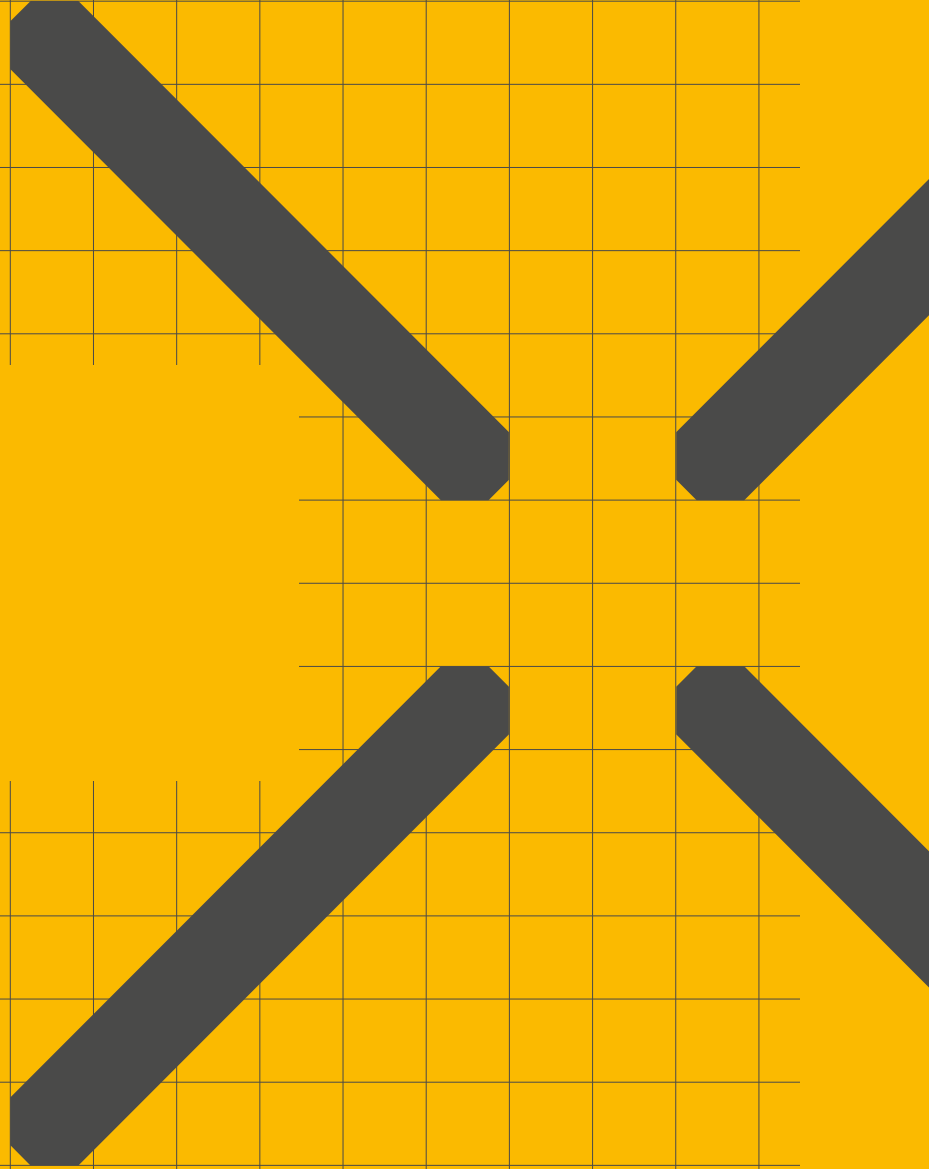


Linear guides and systems



1

# Introduction



# Product description

This catalogue describes Ewellix expertise, technology and solutions related to precision rolled ball screws. Thanks to our lengthy experience with manufacturing ball screws and continuous product and process development, Ewellix provides customers with precision rolled ball screw solutions that fulfil their most demanding applications in terms of efficiency, precision, durability and value.

In many cases, these ball screws can replace ground ball screws, offering a similar level of performance and precision at a lower cost.

The high quality of Ewellix rolled ball screws is achieved through our dedicated manufacturing processes, including precision rolling and specific heat-treatment.



# Product overview

## Screw assembly



SD/BD – SDS/BDS

## Type of recirculation



Internal, by inserts  
Stainless steel optional <sup>1)</sup>



SH – SHS



External, by integrated tube  
Stainless steel optional <sup>2)</sup>



SP/BP



Internal, by inserts



SX/BX



Internal, by inserts



SND/BND/PND, DIN 69051



Internal, by inserts

Designation	Pitch		Page
	d <sub>0</sub> mm	P <sub>h</sub> mm	
SD/BD/SDS/BDS		2,5	22, 24
SD/BD/SDS/BDS	10	2	22, 24
SD/BD	10	4	22
SD/BD/SDS/BDS	12	2-4-5	22, 24
SD/BD/SDS/BDS	14	4	22, 24
SD/BD/SDS/BDS	16	2-5	22, 24
SD/BD	16	10	22

SH/SHS	6	2	22, 24
SH	10	3	22
SH	12,7	12,7	22

SP/BP	8	2,5	26
SP/BP	10	4-5	26
SP/BP	12	2-4-5	26
SP/BP	16	5	26

SX/BX			28
SX/BX	20	5	28
SX/BX	25	5-10	28
SX/BX	32	5-10	28
SX/BX	40	5-10-40	28
SX/BX	50	10	28
SX/BX	63	10	28

SND/BND/PND	16	5-10	32, 34
SND/BND/PND	20	5	32, 34
SND/BND/PND	25	5-10	32, 34
SND/BND/PND	32	5-10	32, 34
SND/BND/PND	40	5-10	32, 34
SND/BND/PND	50	10	32, 34
SND/BND/PND	63	10	32, 34

<sup>1)</sup>except 10x4 R and 16x10 R

<sup>2)</sup>6x2 R only.

**Screw assembly**



SN/BN/PN

**Type of recirculation**



Internal, by inserts

Designation	Page		
	$d_o$ mm	$P_h$ mm	
SN/BN/PN	16	5	36, 38
SN/BN/PN	20	5	36, 38
SN/BN/PN	25	5-10	36, 38
SN/BN/PN	32	5-10	36, 38
SN/BN/PN	40	5-10	36, 38
SN/BN/PN	50	10	36, 38
SN/BN/PN	63	10	36, 38



SL/TL – SLD/TLD



By faces

SL/TL	25	20-25	40
SL/TL	32	20-32-40	40
SLD/TLD	32	32	40
SL/TL	40	20-40	40
SL/TL	50	50	40



SLT/TLT rotating nuts



By faces

SLT/TLT	25	20-25	42
SLT/TLT	32	20-32-40	42
SLT/TLT	40	20-40	42
SLT/TLT	50	50	42



Ball screw support bearings FLBU, PLBU, BUF



Complete ball screw assembly with support bearing

FLBU/PLBU/BUF	16	50, 54
FLBU/PLBU/BUF	20	50, 54
FLBU/PLBU/BUF	25	50, 54
FLBU/PLBU/BUF	32	50, 54
FLBU/PLBU/BUF	40	50, 54
FLBU/PLBU/BUF	50	50, 54
FLBU/PLBU/BUF	63	50, 54

2

## Selection guide



# Technical concepts

## Introduction to Ewellix ball screws

Ball screws convert rotary motion into linear motion, and vice-versa, and loads are transferred from the screw shaft to the nut through a ball set: in this sense, ball screws relate to general bearing technology. Various types of bearing steel are used to attain the hardness and material fatigue properties required for carrying heavy application loads over extended periods of service. Some bearing concepts such as load ratings, load cycles, nominal and service life, stiffness, speed ratings, lubrication requirements, etc. are explained below to guide customers through the ball screw selection process.

Only basic selection parameters are included in this chapter. To make the very best selection of a ball screw, the designer should consider critical parameters such as the load cycle, the linear or rotational speed, the rates of acceleration and deceleration, the cycle rate, the environment, the required life, the lead accuracy, the stiffness, and any other special requirements. If in doubt, please consult the Ewellix ball screw assembly specialists who will assist you in the selection process.

## Basic dynamic load carrying capacity ( $C_a$ )

The dynamic load rating capacity is used to compute the nominal fatigue life of ball screws. It results from the axial load, constant in magnitude and direction, which acts along the central axis of the ball screw, resulting in the calculated nominal life as defined by ISO of one million revolutions.

With a given combination of nominal diameter and lead, a ball screw's dynamic and static load carrying capacities are determined by the number of ball turns supporting the load.

For each product family, the type and number of circuits generate a specific number of ball turns. For example, the SH type nut with external tube recirculation typically presents 2,5 turns of balls within a circuit. The standard SD type nut has 3 circuits covering 0,9 turns each.

## Nominal fatigue life $L_{10}$

Nominal fatigue life is, according to the ISO definition, the life achieved or exceeded by 90% of a large-enough group of apparently identical ball screws, working under identical conditions (alignment, axially and centrally applied load, speed, acceleration, lubrication, temperature and cleanliness).

The nominal life of a ball screw is the statistical number of revolutions which the ball screw is capable of reaching before the first signs of material fatigue by flaking occur on one of the rolling surfaces.

## Service life

The actual life achieved by a specific ball screw before it fails is known as "service life." Failure is due not only to material fatigue by flaking, but also to inadequate lubrication, wear of the recirculation system, corrosion, contamination and, more generally, loss of the functional characteristics required by the application.

Experience acquired with similar applications will help in selecting the right screw to obtain the necessary service life. Structural requirements such as the strength of screw ends and nut attachments should be considered.

To attain  $L_{10}$  life performance, a mean working load of up to 60% of  $C_a$  (to limit the Hertz pressure at the balls / raceways contacts) and a stroke higher than 4 leads (to avoid false-brinelling which could occur with very short strokes or oscillation movements) are required.

## Equivalent dynamic load

The loads acting on the screw can be calculated according to the laws of mechanics if the external forces (e.g. power transmission, work, rotary and linear inertia forces) are known or can be calculated. It is necessary to calculate the equivalent dynamic load.

Radial and moment loads must be taken up by linear bearing systems. It is extremely important to resolve these problems at the earliest possible design stage. These forces are detrimental to the life and the expected performance of the screw (→ fig. 1).

When the load fluctuates during the working cycle, it is necessary to calculate the equivalent dynamic load: this load is defined as the hypothetical load, constant in magnitude and direction, acting axially and centrally on the screw, which if applied, would have the same influence on the screw life as the actual loads which the screw is subjected to.

If misalignment, uneven loading, shocks, etc. cannot be avoided in the application, they must be taken in account during the sizing of the ball screw.

Their influence on the screw's nominal life can generally be estimated<sup>1)</sup>.

## Basic static load carrying capacity ( $C_{oa}$ )

Ball screws should be selected considering the basic static load capacity  $C_{oa}$ , rather than the basic dynamic load capacity, when they are subjected to continuous or intermittent shock loads while stationary or rotating at very low speed for short periods of time. The permissible load is determined by the permanent deformation caused by the load acting at the contact points.

The static load carrying capacity is, according to ISO standards, the purely axially and centrally applied static load which creates, by calculation, a total (rolling element + threaded surface) permanent deformation equal to 0,0001 times the diameter of the rolling element (→ fig. 2).

A ball screw basic static load rating must be, at a minimum, equal to the product of the maximum axial static load applied and a safety factor " $s_0$ ." Past experience with similar applications and requirements of running smoothness and noise level will guide the selection of " $s_0$ "<sup>1)</sup>.

## Critical rotating speed for screw shafts

For this calculation, the shaft is equated to a cylinder, with an external diameter equal to the root diameter of the thread. The formulae use a parameter whose value is dictated by the mounting of the screw shaft, whether it is simply supported or fixed.

As a general rule, the nut is not considered to be a support of the screw shaft. Because of the potential inaccuracies in the mounting of the screw assembly, a safety factor of 0,8 is applied to the calculated critical speed.

Calculations which consider the nut to be a support for the shaft, or which reduce the safety factor, require practical tests and possibly optimization of the design.

## Permissible speed limit

The permissible speed limit is the speed which a screw cannot reliably exceed at any time. It is generally the limiting speed of the recirculation system in the nut. It is expressed as the product of maximum rotational speed (in rpm) and the nominal diameter of the screw shaft (expressed in mm).

The speed limits quoted in this catalogue are the maximum speeds that may be applied for very short periods of time and with optimized running conditions of alignment, light external load and preload with monitored lubrication.

Running a screw continuously at the permissible speed limit may lead to a reduction of the calculated life of the nut mechanism.

Fig. 1

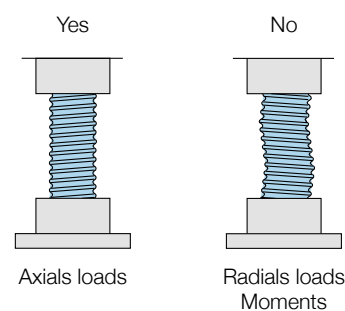
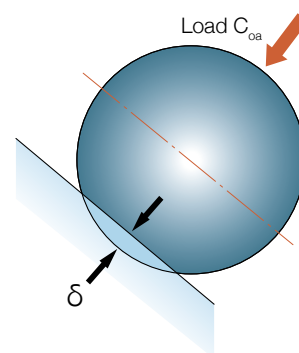


Fig. 2



<sup>1)</sup> Ewellix can help you make these calculations with consideration to the actual conditions of service.

**Important!**

High speed associated with high load requires a large input power and yields a relatively short nominal life<sup>1)</sup>.

In the case of high acceleration and deceleration, we recommend either working under a nominal external load or applying a light preload to the nut to avoid internal sliding during reversal of movement.

The preload for screws subjected to high velocity must be calculated to ensure that the rolling elements do not slide<sup>1)</sup>.

Excessive preload will create an unacceptable increase in the internal temperature.

**Screw shaft buckling**

The column loading of the screw shaft must be checked when it is subjected to dynamic or static compression loading.

The maximum permissible compressive load is calculated using the Euler formulae, with a safety factor of 3 to 5, depending on the application.

The type of shaft end mounting is critical to select the proper coefficients to be used in the Euler formulae.

When the screw shaft has a single diameter along its total length, the root diameter of the threaded shaft is used for the calculation. When the screw comprises different sections with varying diameters, calculation becomes more complex<sup>1)</sup>.

**Lubrication**

Proper quantities and quality of lubrication must be selected if ball screws are to operate correctly and to maximize their service life.

Greater care is required for operation at high speed, as the lubricant spread on the surface of the screw shaft may be thrown off by centrifugal forces. It is important to monitor this phenomenon during the first run at high speed and, if necessary, to adapt the frequency of re-lubrication or the flow of lubricant, or to select a lubricant with a different viscosity.

Monitoring the steady temperature reached by the nut allows for the optimization of the frequency of re-lubrication or the oil flow rate.

**Efficiency and back-driving**

Screw performance primarily depends on the geometry of the contact surfaces and their finish and the helix angle of the thread. It also depends on the working conditions (load, speed, lubrication, preload, alignment, etc.).

“Direct efficiency” is used to define the input torque required to transform the rotation of one component into the translation of the other. Conversely, “indirect efficiency” is used to define the axial load required to transform the translation of one component into the rotation of the other one. It is also used to define the braking torque required to prevent that rotation.

It is safe to assume that ball screws are reversible or back-driveable under almost all circumstances. A braking mechanism (gear reducers or brake) must be part of the design, if back-driving is to be avoided.

**Preload torque**

Screws with internal preload exhibit a certain amount of friction torque. This torque still exists when ball screws are not externally loaded. Preload torque is measured with ISO grade 64 oil.

**Starting torque**

This is the amount of torque required to overcome the following forces to start rotation:

- a** the total inertia of all moving parts accelerated by the source of power (including rotational and linear movements);
- b** the internal friction of the screw / nut assembly, bearings and associated guiding devices.

In general, the torque required to overcome the inertia (**a**) is greater than the friction torque (**b**). The friction coefficient of the high efficiency screw when starting moving ( $\mu_s$ ) is estimated to reach up to double the amount of the dynamic coefficient  $\mu$ , under normal conditions of usage.

**Axial play and preload**

Ewellix products are available with a range of versions of axial play.

Standard axial play is intended for transport screws, when the product is not subject to vibrations, high accelerations, and when positioning accuracy under load is not critical (e.g.: SN type).

Reduced play (e.g.: SN type with reduced play) and backlash elimination by oversized balls (e.g.: BN type) are recommended to increase assembly precision (L→ **fig. 3**).

For optimum stiffness and positioning accuracy under load, internally preloaded nuts are recommended (e.g.: PN type) (L→ **fig. 4**). When subjected to external loading, preloaded nuts exhibit a much lower elastic deformation than non-preloaded nuts.

Preload is the amount of force applied to a set of two half-nuts necessary to either press them together or to push them apart with the purpose of eliminating backlash or increasing the stiffness of the assembly. The preload is measured by the value of the preload torque (see explanations in the previous paragraph). For a given amount of preload (expressed in Newton), the friction torque varies with different types of nuts and with the preloading method. The friction torque due to preload is indicated in product tables.

## Static axial stiffness of a complete assembly

The static axial stiffness of a complete ball screw assembly is the ratio of the external axial load applied to the system and the axial displacement of the face of the nut in relation to the fixed (anchored) end of the screw shaft. Please see calculation formulae (↳ pages 14 to 15).

### Nut stiffness: $R_n$

When a preload is applied to a split nut, the internal play is eliminated. Additionally, the Hertzian elastic deformation increases with increased preload and increased stiffness.

The theoretical elastic deformation at the contact points does not take into account machining inaccuracies, actual sharing of the load between the different contact surfaces, or elasticity of the nut and of the screw shaft. For this reason, the practical stiffness values given in the catalogue are lower than the theoretical values. They are determined by Ewellix assuming a preload of 8,5% Ca for screws with diameter up to 40 mm, and a preload of 7% Ca for screws with diameter greater than 40 mm, when applying an external axial load centred on the screw shaft and equal to twice the amount of preload.

### Shaft stiffness: $R_s$

The elastic deformation of the screw shaft is proportional to its length and inversely proportional to the square of the root diameter.

According to the relative importance of the screw deformation, an excessive increase of nut preload and of the supporting bearings yields a limited increase of stiffness and noticeably increases the preload torque and therefore the running temperature.

Consequently, the preload stated in the catalogue for each screw dimension is optimum and should not be exceeded.

Please see calculation formulae (↳ pages 14 to 15).

## Materials, heat treatment and coatings

Standard screw shafts are manufactured from carbon steel which is surface hardened by induction. For standard screws,

rolling surface hardness is 56 to 60 HRC, depending on diameter (for very small diameter screws, the temperature during the hardening process is slightly lowered to avoid the through-hardening of the screw shaft, therefore resulting in lower surface hardness).

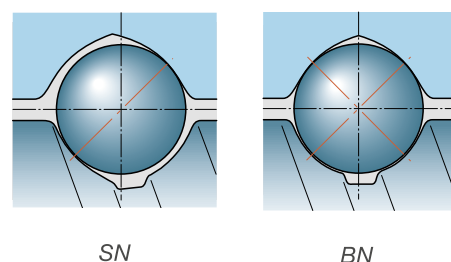
Standard nuts are machined from steel which is through-hardened (100 Cr6–NFA 35.565 or equivalent for diameters  $\geq 20$  mm, and carbon steel for diameters  $< 20$  mm).

Most stainless steel screws have a surface hardness ranging from 50 to 58 HRC, depending on the type of stainless steel being used and the screw diameter (note the effect of reduced hardening temperature on small diameter screws, as previously mentioned). The load ratings provided in the catalogue are given for standard screws only.

Ewellix offers various types of surface coating for improved ball screw performance:

- Manganese phosphate coating is standard for the SX/BX universal nuts. This coating can also be applied to most ranges of precision rolled ball screws to improve the resistance to corrosion
- Low friction coating or chrome coating are available on request. Please contact Ewellix.

Fig. 3



## Operating temperature

Screws made from standard steel and screws operating under normal loads can operate from  $-20$  to  $+110$  °C.

Between  $110$  °C and  $130$  °C, Ewellix must be notified for adaptation of the annealing procedure and for review of the application with hardness below the standard minimum value.

Above  $130$  °C, steel adapted to the temperature of the application should be selected (100Cr6, special steel, etc.).

Please consult Ewellix for advice.

Operation at high temperatures will lower the steel hardness, alter the thread accuracy, may increase the oxidation of the materials and change the lubricant properties.

## Ball screw support bearings

To assist the customer design and machinery assembly process, Ewellix has developed a range of support bearings specifically designed for ball screws with nominal diameter starting from  $16$  mm. These support bearings can easily be mounted on the screw shaft ends, following Ewellix recommendations for ends machining (→ **pages 45 to 49**). Three types of support bearings available for fixed axial mounting (FLBU type in **pages 50 to 51**), for fixed radial mounting (PLBU type in **pages 52 to 53**) and for pure radial support (BUF type in **pages 54 to 55**), all fitted with SKF premium bearings, greased and sealed for life. Ewellix stocks these support bearings for quick delivery.

## Designing the screw shaft ends

Generally speaking, when the ends of the screw shaft are specified by the customer's engineering staff, it is their responsibility to check the strength of these ends. However, we offer and recommend a choice of standard machined ends (→ **pages 45 to 49**).

Please bear in mind that no dimension on the shaft ends can exceed  $d_2$ . Otherwise, traces of the root of the thread will appear. If the application requires a shaft end with a smooth surface of diameter greater than  $d_2$ , it is advisable to add an additional part attached to the machined shaft end.

A minimum shoulder should be sufficient to maintain the bearing inner ring. Please follow bearing mounting recommendations.

## Critical applications

The standard products have been fitted with composite ball recirculation inserts.

If the ball screws are used in severe applications, or if the inserts are used to prevent system collapse (especially in the case of vertical applications), optional steel inserts are available. For critical applications, Ewellix also offers optional safety rings for miniature ball screws, and safety nuts for larger ball screws.

In such cases, the customer should consult Ewellix to define the optimum solution.

## Working environment

Our products have not been developed for use in an explosive environment. Consequently, Ewellix cannot take any responsibility for the use of ball screws in such applications.

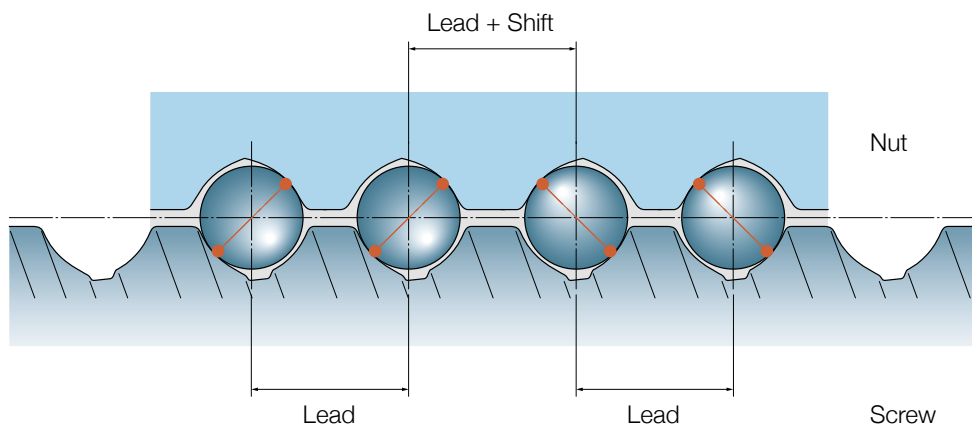


Fig. 4

# Calculation formulae

## Basic life rating

$$L_{10} = \left( \frac{C_a}{F_m} \right)^3$$

## Required load rating

$$C_{req} = F_m (L_{10})^{1/3}_{req}$$

where

$L_{10}$  = life [million revolutions]

$C_a$  = basic dynamic load rating [N]

$C_{req}$  = required dynamic load rating [N]

$F_m$  = cubic mean load [N]

## Equivalent mean load

• Duty cycle with step loading

$$F_m = \frac{(F_1^3 L_1 + F_2^3 L_2 + F_3^3 L_3 + \dots)^{1/3}}{(L_1 + L_2 + L_3 + \dots)^{1/3}}$$

where

$L_n$  = load period n (↳ **diagram 2**)

$F_n$  = load during period n (↳ **diagram 2**)

$F_n$  can be a fixed value, or  $F_n$  can be calculated using the following formulae for  $F_m$

• Duty cycle with continuous load variation

$$F_m = \frac{F_{min} + 2F_{max}}{3}$$

where

$F_{min}$  = minimum load (↳ **diagram 3**)

$F_{max}$  = maximum load (↳ **diagram 3**)

## Critical speed of screw shaft (no safety factor)

$$n_{cr} = 49 \times 10^6 \frac{f_1 d_2}{l^2}$$

where

$n_{cr}$  = critical speed [rpm]

$d_2$  = root diameter [mm]

$l$  = free length, or distance between the two support bearings [mm]

$f_1$  = mounting correction factor

0,9 ●● — fixed, free

3,8 ●●● — fixed, radial support

5,6 ●●●● — fixed, fixed

**Note:** it is generally recommended to apply a safety factor of 0,8 to the calculated value of the critical speed  $n_{cr}$  of the screw shaft.

## Speed limit of the mechanism (maximal speed applied through very short periods)

With recirculation by inserts / tubes (SD/BD/SH-SDS/BDS/SHS-SX/BX-SND/BND/PND-SN/BN/PN):

$$n d_0 < 50\ 000$$

With recirculation through flange (SL/TL-SLD/TLD):

$$n d_0 < 90\ 000$$

If  $n d_0 > 50\ 000$  or  $90\ 000$  respectively, please consult Ewellix

where

$n$  = rotational speed [rpm]

$d_0$  = screw shaft nominal diameter [mm]

Maximum admissible acceleration is  $4\ 000\ \text{rad/s}^2$

## Buckling strength, with safety factor 3

$$F_c = \frac{34 \times 10^3 f_3 d_2^4}{l^2}$$

where

$F_c$  = buckling strength [N]

$d_2$  = root diameter [mm]

$l$  = free length, or distance between the two support bearings [mm]

$f_3$  = mounting correction factor

0,25 ●● — fixed, free

2 ●●● — fixed, radial support

4 ●●●● — fixed, fixed

Diagram 2

Equivalent mean load

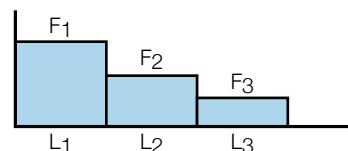
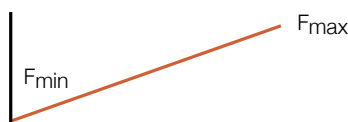


Diagram 3

Equivalent mean load



**Theoretical efficiencies**

Direct (↳ fig. 11)

$$\eta = \frac{1}{1 + \frac{\pi d_0}{P_h} \mu}$$

where

$\mu$  = 0,0065 for SH/SHS

$\mu$  = 0,006 for SD/BD, SDS/BDS, SX/BX, SND/BND/PND, SN/BN/PN, SL/TL, SLT/TLT

$d_0$  = nominal diameter of screw shaft [mm]

$P_h$  = lead [mm]

Indirect (↳ fig. 12)

$$\eta' = 2 - \frac{1}{\eta}$$

**Practical efficiency**

$$\eta_p = 0,9 \eta$$

The value 0,9 is an average value between the practical efficiency of a new screw and that of a properly run-in screw. It should be used for industrial applications in all normal working conditions. For extreme cases, please contact Ewellix.

**Input torque in a steady state**

$$T = \frac{F P_h}{2\,000 \mu \eta_p}$$

where

$T$  = input torque [Nm]

$F$  = maximum load of the cycle [N]

$P_h$  = lead [mm]

$\eta_p$  = practical efficiency

**Power requirement in a steady state**

$$P = \frac{F_n P_h}{60\,000 \eta_p}$$

where

$P$  = power required [W]

$n$  = revolutions per minute [rpm]

**Preload torque [Nm]**

$$T_{pr} = \frac{F_{pr} P_h}{1\,000 \pi} \left( \frac{1}{\eta_{pr}} - 1 \right)$$

where

$T_{pr}$  = preload torque [N]

$F_{pr}$  = preload [N]

$\eta_{pr}$  is calculated using  $\mu = 0,01$  for preloaded system

**Restraining torque (considering a back-driving system)**

$$T_B = \frac{F P_h \eta'}{2\,000 \pi}$$

where

$T_B$  = restraining torque [Nm]

$F$  = load [N]

For safety reasons, we use the theoretical indirect efficiency.



Fig. 11

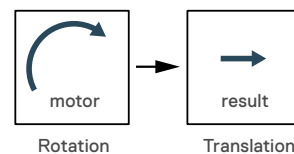
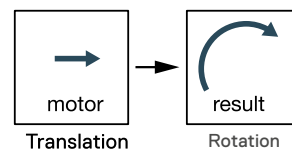


Fig. 12



**Nominal motor torque during acceleration**

For a horizontal screw

$$T_r = T_f + T_{pr} + \frac{P_h [F + m_L \mu_f g]}{2\,000 \pi \eta_p} + \dot{\omega} \Sigma I$$

For a vertical screw

$$T_r = T_f + T_{pr} + \frac{P_h [F + m_L g]}{2\,000 \pi \eta_p} + \dot{\omega} \Sigma I$$

where

- $T_t$  = nominal torque [Nm]
- $T_f$  = torque from friction in support bearings, motors, seals, etc... [Nm]
- $T_{pr}$  = preload torque [Nm]
- $\mu_f$  = coefficient of friction
- $\dot{\omega}$  = angular acceleration [rad/s<sup>2</sup>]
- $m_L$  = mass of the load [kg]
- $g$  = acceleration of gravity [9,8 m/s<sup>2</sup>]
- $\Sigma I$  =  $I_M + I_L + I_S \mid 10^{-9}$

**Nominal braking torque during deceleration**

For a horizontal screw

$$T'_i = T_f + T_{pr} + \frac{P_h \eta [F + m_L \mu_f g]}{2\,000 \pi} + \dot{\omega} \Sigma I$$

For a vertical screw

$$T'_i = T_f + T_{pr} + \frac{P_h \eta [F + m_L g]}{2\,000 \pi} + \dot{\omega} \Sigma I$$

where

$$I_L = m_L \left( \frac{P_h}{2 \pi} \right)^2 10^{-6}$$

where

- $I_M$  = inertia of motor [kgm<sup>2</sup>]
- $I_S$  = inertia of screw shaft per metre [kgmm<sup>2</sup>/m]
- $l$  = length of screw shaft [mm]

**Static axial stiffness of a complete ball screw assembly**

$$\frac{1}{R_t} = \frac{1}{R_s} + \frac{1}{R_n} + \frac{1}{R_p}$$

where

- $R_t$  = stiffness of a complete assembly [N/μm]
- $R_s$  = shaft stiffness [N/μm]
- $R_n$  = nut stiffness [N/μm]
- $R_p$  = support bearings stiffness [N/μm]

**Shaft stiffness**

Fixed-free or fixed-radial support

$$R_s = 165 \frac{d_2^2}{l_1} \quad (\rightarrow \text{fig. 13})$$

Fixed-fixed assembly

$$R_s = \frac{165 d_2^2 l_2}{l_1 (l_2 - l_1)} \quad (\rightarrow \text{fig. 14})$$

where

- $l_1$  = distance center of fixed support bearing to center of nut [mm]
- $l_2$  = distance between centers of fixed support bearings

**For additional information, please contact Ewellix.**

Fig. 13

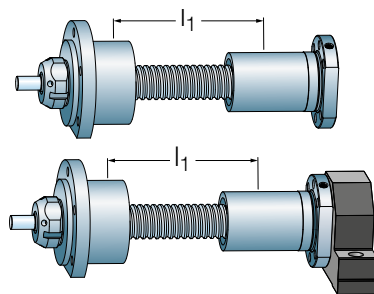
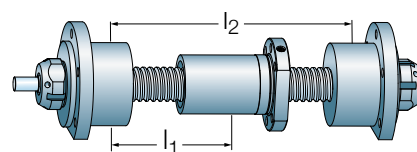


Fig. 14



# Calculation example for a ball screw

## Description of customer application:

- **Ball screw type PND 25 × 5. Ball screw is described (↳ page 34):** Nut with internal preload, 2 × 3 circuits, dynamic carrying capacity  $C_a = 12,7$  kN, and static carrying capacity  $Coa = 22,7$  kN
- **Screw shaft is horizontally mounted and supported by two support bearings of types PLBU25 and BUF25**
- **Load cycle as follows:**
  - Phase 1:  
Steady axial load of 3 kN, on travel of 900 mm, with linear speed 100 mm/s, or phase duration of 9 seconds
  - Phase 2:  
Regular load increase from 3 kN to 7 kN, on travel of 100 mm, with linear speed 10 mm/s, or phase duration of 10 seconds
  - Phase 3:  
Nut return to initial position, with steady load of 2 kN, on travel of 1 000 mm, with linear speed 100 mm/s, or phase duration of 10 seconds
  - Then period of 31 seconds with zero load, no displacement
  - Operation during 7 hours per day, 5 days per week, 50 weeks per year.

Fig. 15

Shaft end 2A for PND 25x5

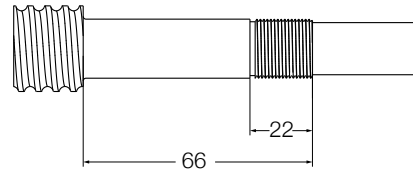
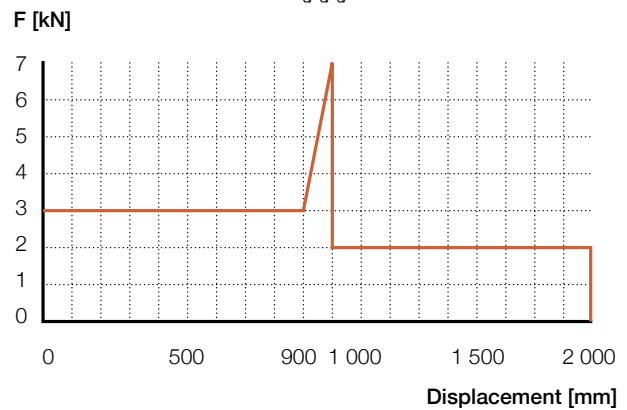
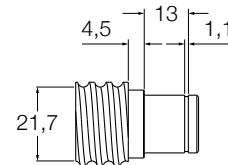


Fig. 16

Shaft end 4A for PND 25x5



## Calculation of equivalent mean load

First, we check that the maximum load from the duty cycle does not create an excessive loading condition that would be detrimental to service life. Please refer to explanation in paragraph "Service life" (↳ page 9).

Maximum application load = 7 kN,

while 60% of  $C_a = 60\% \times 12,7 = 7,6$  kN  $\Rightarrow$  OK

$$F_1 = 3\,000 \text{ N}$$

on  $L_1 = 900$  mm

$$F_2 = \frac{3\,000 + 2 \times 7\,000}{3} = 5\,667 \text{ N}$$

on  $L_2 = 1\,000$  mm

on  $L_3 = 1\,000$  mm

$$F_3 = 2\,000 \text{ N}$$

$$F_m = \sqrt[3]{\frac{3\,000^3 \times 900 + 5\,667^3 \times 100 + 2\,000^3 \times 1\,000}{900 + 100 + 1\,000}} = 2\,934 \text{ N}$$

## Calculation of basic life rating $L_{10}$

$$L_{10} = \left( \frac{12\,700}{2\,934} \right)^3 = 81,1 \text{ millions revolutions}$$

Number of nut revolutions per one complete cycle

$$= (2 \times 1\,000) / 5 = 400 \text{ revolutions}$$

$$\text{Or } (81,1 \times 10^6) / 400 = 202\,750 \text{ complete cycles}$$

One complete cycle lasts  $(9 + 10 + 10 + 31) = 60$  seconds

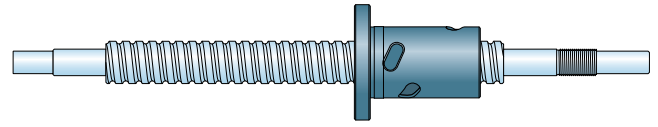
$$\text{Or life rating of } (202\,750 \times 60) / (3\,600 \times 7 \times 5 \times 50) = 1,9 \text{ years with 90\% reliability}$$

**Critical speed of screw shaft**

The critical speed must be checked, especially when the nut travel is long compared to the shaft diameter. Maximum speed during the duty cycle:

$$V_{\max} = \frac{100}{5} \times 60 = 1\,200 \text{ rpm}$$

The shaft threaded length is calculated with considering the total nut travel (1 000 mm), plus the nut length (62 mm), plus extra free length at each shaft end equal to two leads (2 × 2 × 5 = 20 mm).



Screw assembly is horizontally mounted. End machining is 2A for support bearing PLBU25, and end machining is type 4A for support bearing BUF25. The combination of 2A + 4A ends machining is called HA when ordering the screw (→ page 44).

So total threaded length = 1 082 mm

For end type 2A, with screw nominal diameter  $d_0 = 25$  mm, the central axial position of the bearings is calculated with data from pages 45 and 46:

$(B_7 - G_1) / 2 = (66 - 22) / 2 = 22$  mm from the end of the threaded shaft (→ fig. 15).

For end type 4A, with screw nominal diameter  $d_0 = 25$  mm, the central axial position of the bearing is calculated with data from pages 45 and 46:

$B_7 + ((B_5 - m) / 2) = 4,5 + ((13 - 1,1) / 2) = 11$  mm from the end of the threaded shaft (→ fig. 16).

The free length between the two support bearings is:

$$l = 1\,082 + 22 + 11 = 1\,115 \text{ mm}$$

The root diameter of the threaded shaft is:

$$d_2 = 21,7 \text{ mm (→ page 35 or 44).}$$

Calculation of critical speed:

$$n_{cr} = 49 \times 10^6 \frac{3,8 \times 21,7}{1\,115^2} = 3,250 \text{ rpm} > V_{\max} \Rightarrow \text{OK}$$

**Speed limit**

$$n \times d_0 = 1\,200 \times 25 = 30\,000 < 50\,000 \Rightarrow \text{OK}$$

**Buckling strength**

$$F_c = \frac{34,10^3 \times 2 \times 21,7^4}{1\,115^2} = 12,1 \text{ kN} > F_{\max} = 7 \text{ kN} \Rightarrow \text{OK}$$

**Theoretical direct efficiency**

$$\eta = \frac{1}{1 + \frac{\pi \times 25}{5} \times 0,006} = 0,914$$

**Theoretical indirect efficiency**

$$\eta' = 2 - \frac{1}{0,914} = 0,906$$

**Practical efficiency**

$$\eta_p = 0,9 \times 0,914 = 0,823$$

**Input torque in a steady state**

$$T = \frac{7\,000 \times 5}{2\,000 \pi \times 0,823} = 6,8 \text{ Nm}$$

**Power requirement in a steady state**

$$\text{Phase 1: } P = \frac{3\,000 \times 1\,200 \times 5}{60\,000 \times 0,823} = 365 \text{ W}$$

$$\text{Phase 2: } P = \frac{7\,000 \times 1\,200 \times 5}{60\,000 \times 0,823} = 85 \text{ W}$$

$$\text{Phase 3: } P = \frac{3\,000 \times 1\,200 \times 5}{60\,000 \times 0,823} = 243 \text{ W}$$

# Lead precision

## Manufacturing precision

Generally speaking, the precision indicated defines the lead precision that complies with ISO standards, e.g. G5, G7, etc. (↳ **table 1**).

Parameters other than lead precision correspond to Ewellix internal standards, generally based on ISO class 7. If the application requires special tolerances, for example class 5, please specify these requirements in the inquiry.

## Ewellix high precision rolled ball screws

High technology machinery associated with precise control of the cold forming and metallurgical processes results in screw production that virtually offers the same accuracy and performance level of ground ball screws, but at a lower cost (↳ **diagram 1**). Standard lead precision is G9, which complies with ISO 286-2:1988. Ewellix production meets G7 lead precision for screw shaft diameters starting from  $d_0 = 20$  mm. On request, Ewellix can deliver ball screws with G5 lead precision which are in accordance with ISO 3408-3:2006, defined for positioning screws and matching the lead precision of G5 ground ball screws.

## Lead precision

Lead precision is measured at 20 °C on the useful stroke  $l_u$ . At Ewellix  $l_u$  is the threaded length of the shaft minus twice the length  $l_e$  equal to the screw nominal diameter (↳ **table 1** and **fig. 7**).

Some customer applications require a travel compensation  $c$  to account for the effect of operating temperature on the lead precision:

- Standard case with  $c = 0$  (↳ **fig. 8**)
- Case with specific value of  $c$  (↳ **fig. 9**).

Diagram 1

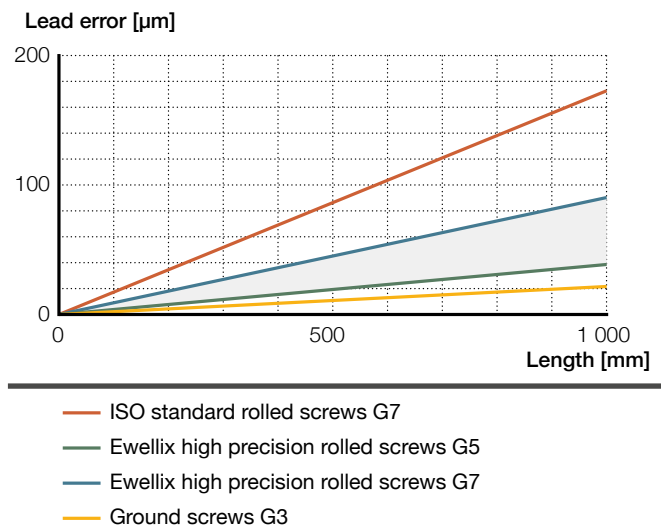


Table 1

$V_{300p}$ µm		G5		G7		G9	
		$e_p$	$v_{up}$	$e_p$	$v_{up}$	$e_p$	$v_{up}$
$l_u$ mm		µm					
0	- 315	23	23	52	35	130	87
(315)	- 400	25	25	57	40	140	100
(400)	- 500	27	26	63	46	155	115
(500)	- 630	32	29	70	52	175	130
(630)	- 800	36	31	80	57	200	140
(800)	- 1 000	40	34	90	63	230	155
(1 000)	- 1 250	47	39	105	70	260	175
(1 250)	- 1 600	55	44	125	80	310	200
(1 600)	- 2 000	65	51	150	90	370	230
(2 000)	- 2 500	78	59	175	105	440	260
(2 500)	- 3 150	96	69	210	125	530	310
(3 150)	- 4 000	115	82	260	150	640	370
(4 000)	- 5 000	140	99	320	175	790	440
(5 000)	- 6 000	170	119	390	210	960	530



Lead precision measurement

**Symbols used in figs. 7 to 9**

- $l_u$  = useful travel
- $l_e$  = excess travel (no lead precision required)
- $l_0$  = nominal travel
- $l_s$  = specified travel
- $c$  = travel compensation (difference between  $l_s$  and  $l_0$  to be defined by the customer)
- $e_p$  = tolerance over the specified travel
- $V$  = travel variation (or permissible band width)
- $V_{300p}$  = maximum permitted travel variation over 300 mm
- $V_{up}$  = maximum permitted travel variation over the useful travel  $l_u$
- $V_{300a}$  = measured travel variation over 300 mm
- $V_{ua}$  = measured travel variation over  $l_u$

Fig. 7

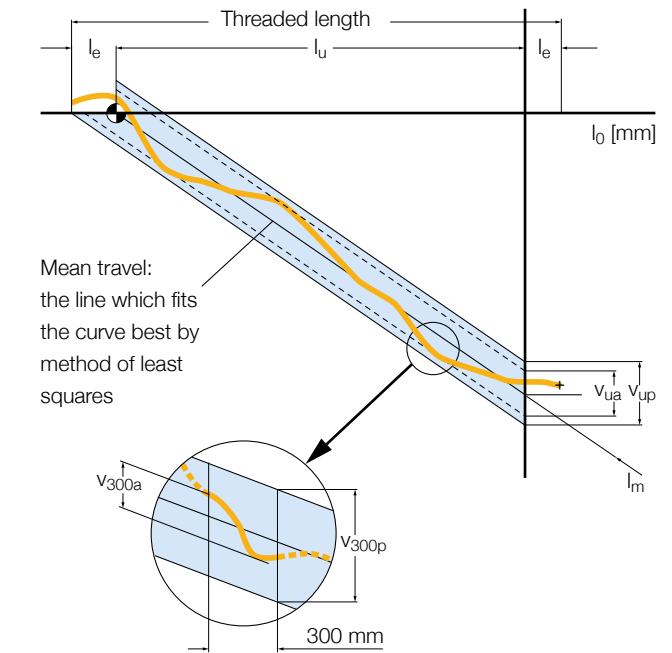


Fig. 8

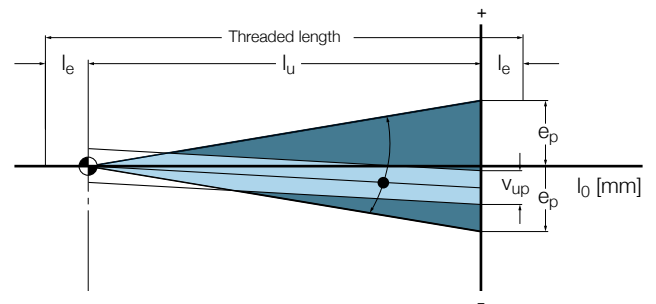
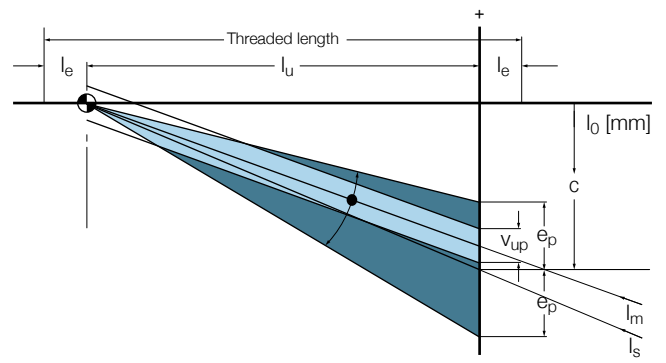
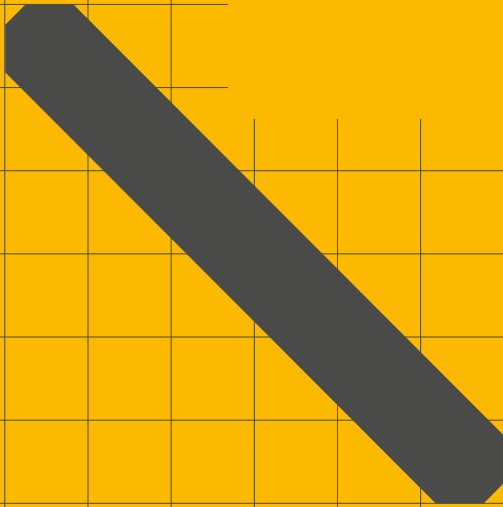
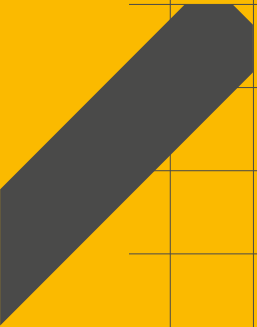
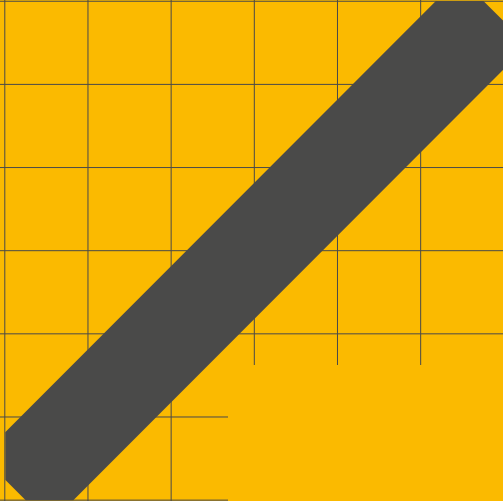
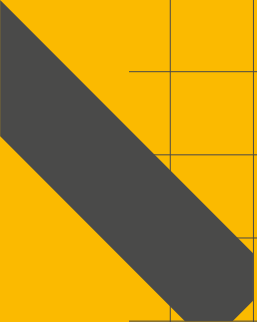


Fig. 9



3

Product range



# SD/BD/SH miniature screws

Rolled thread miniature ball screw, nut with threaded nose

## Features

- Nominal diameter from 6 to 16 mm
- Lead from 2 to 12,7 mm
- Recirculation with inserts (SD/BD) or with tube (SH)
- Optional surface coating on shaft and nut
- Optional safety ring<sup>1)</sup>
- Optional wipers<sup>2)</sup> except 6x2 R – 10x3 R.

## Benefits

- Excellent repeatability with high positioning accuracy
- Smooth running
- Extremely compact nut design with threaded nose for easy assembly
- Backlash elimination by oversized balls on request (BD designation), over maximum length of 1 000 mm.



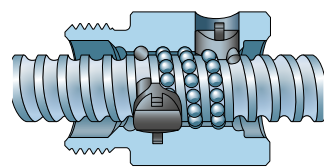
Standard SD/BD



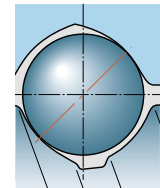
Standard SH



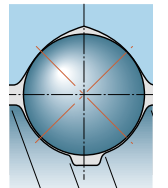
Customised SD



Recirculation SD/BD



SD



BD

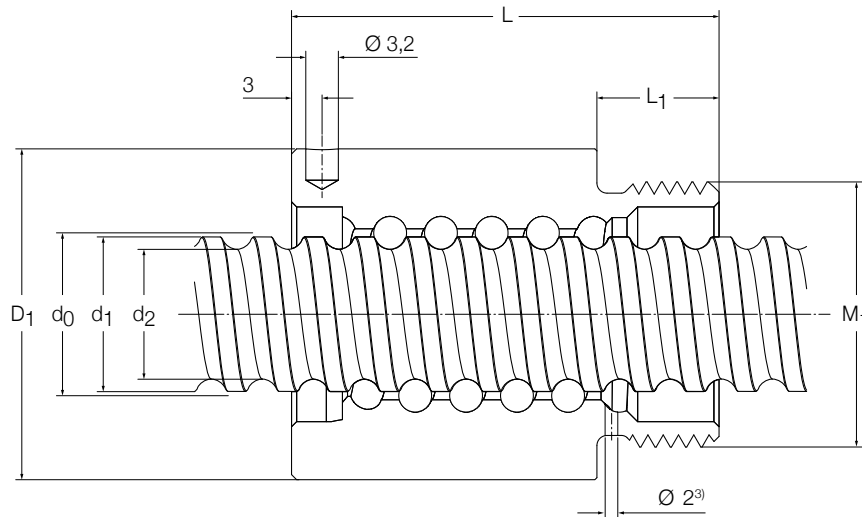
## Technical data

Nominal diameter	Lead (right hand)	Nut			Std play	Reduced play on request	Inertia	Grease	Weight	Screw			Designation
		Basic load ratings dynamic	static	Number of circuits of balls						Mass	Inertia	Grease	
$d_0$ mm	$P_n$ mm	$C_a$ kN	$C_{oa}$	–	mm	kgmm <sup>2</sup>	cm <sup>3</sup>	kg	kg/m	kgmm <sup>2</sup> /m	cm <sup>3</sup> /m	–	
6	2	1,9	2,2	1x2,5	0,05	0,02	7,7	0,1	0,025	0,18	0,7	0,7	SH 6x2 R
8	2,5	2,2	2,7	3	0,07	0,03	1,12	0,1	0,025	0,32	2,1	1,1	SD/BD 8x2.5 R
10	2	2,5	3,6	3	0,07	0,03	1,7	0,1	0,03	0,51	5,2	1,4	SD/BD 10x2 R
	3	2,6	3,3	1x2,5	0,07	0,03	2,9	0,3	0,05	0,5	5,1	1,3	SH 10x3 R
	4	4,5	5,5	3	0,07	0,03	2,7	0,3	0,04	0,43	3,8	1,3	SD/BD 10x4 R
12	2	2,9	4,7	3	0,07	0,03	1,5	0,1	0,023	0,67	10	1,7	SD/BD 12x2 R
	4	4,9	6,6	3	0,07	0,03	7	0,4	0,066	0,71	10,8	1,6	SD/BD 12x4 R
	5	4,2	5,4	3	0,07	0,03	5	0,6	0,058	0,71	10,1	1,4	SD/BD 12x5 R
12,7	12,7	6,6	8,9	2x1,5	0,07	0,03	20	1,1	0,15	0,71	16,2	1,6	SH 12,7x12,7 R
14	4	6	9,1	3	0,07	0,03	8	0,6	0,083	1,05	22	1,7	SD/BD 14x4 R
16	2	3,3	6,2	3	0,07	0,03	9,2	0,6	0,1	1,4	39,7	1,7	SD/BD 16x2 R
	5	7,6	10,7	3	0,07	0,03	22,7	0,9	0,135	1,3	33,9	2,1	SD/BD 16x5 R
	10	10,7	17,2	2x1,8	0,07	0,03	24,4	1	0,16	1,21	30,7	1,9	SD/BD 16x10 R

<sup>1)</sup> Available for 12<sup>TM</sup>4 R – 12,7<sup>TM</sup>12,7 R – 14<sup>TM</sup>4 R – 16<sup>TM</sup>5 R – 16<sup>TM</sup>10 R

<sup>2)</sup> It is not possible to supply safety ring and wipers in the same nut

## Dimensional drawing



Screw $d_0 \times P_h$ mm	Nut		Without wipers L $\pm 0,3$ mm	With wipers $L_1$ mm	Tightening spanner (FACOM) –	Screw length max mm	$d_2$ mm	$d_1$ mm	Support bearings		
	$D_1$ h10 mm	$M_1$ 6g mm							Recommended thrust support bearings	Recommended support pillow block	
6x2	16,5	M14x1	20	–	7,5	126-A35	1 000	4,7	6	–	–
8x2,5	17,5	M15x1	23,5	23,5	7,5	126-A35	1 000	6,3	7,6	–	–
10x2	19,5	M17x1	22	22	7,5	126-A35	1 000	8,3	9,5	–	–
10x3	21	M18x1	29	–	9	126-A35	1 000	7,9	9,9	–	–
10x4	21	M18x1	28	31	8	126-A35	1 000	7,4	8,9	–	–
12x2	20	M18x1	20	23,5	8	126-A35	2 000	9,9	11,2	–	–
12x4	25,5	M20x1	34	34	10	126-A35	2 000	9,4	11,3	–	–
12x5	23	M20x1	36	40	10	126-A35	2 000	9,3	11,8	–	–
12,7x12,7	29,5	M25x1,5	50	50	12	126-A35	2 000	10,2	13	–	–
14x4	27	M22x1,5	30	34	8	126-A35	2 000	11,9	13,7	–	–
16x2	29,5	M25x1,5	27	27	12	126-A35	2 000	14,3	15,5	FLBU 16/PLBU 16	BUF 16
16x5	32,5	M26x1,5	42	42	12	126-A35	2 000	12,7	15,2	FLBU 16/PLBU 16	BUF 16
16x10	32	M26x1,5	46	46	12	126-A35	2 000	12,6	15,2	FLBU 16/PLBU 16	BUF 16

# SDS/BDS/SHS miniature screws in stainless steel

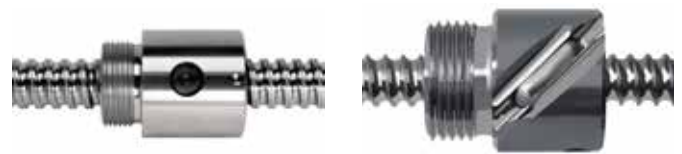
Rollled thread miniature ball screw, nut with threaded nose

## Features

- Nominal diameter from 6 to 16 mm
- Lead from 2 to 5 mm
- Standard lead precision G7 and G9
- Material for shaft and nut is X30Cr13 (similar to AISI 420)
- Balls are made of stainless steel type X105CrMo17 (similar to AISI 440C)<sup>1)</sup>
- Optional safety ring<sup>2)</sup>
- Optional wipers<sup>3)</sup> except for SHS 2 R.

## Benefits

- Excellent repeatability with high positioning accuracy
- Smooth running
- Extremely compact nut design with threaded nose for easy assembly
- Backlash elimination by oversized balls on request (BDS designation), over maximum length of 1 000 mm
- Suitable for long storage periods before customer usage, or for applications with extremely long service life
- Adapted for operation in clean environment.

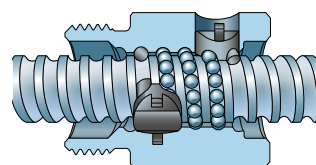


Standard SDS/BDS

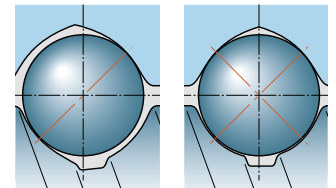
Standard SHS



Customised SDS



Recirculation SD/BD



SD

BD

## Technical data

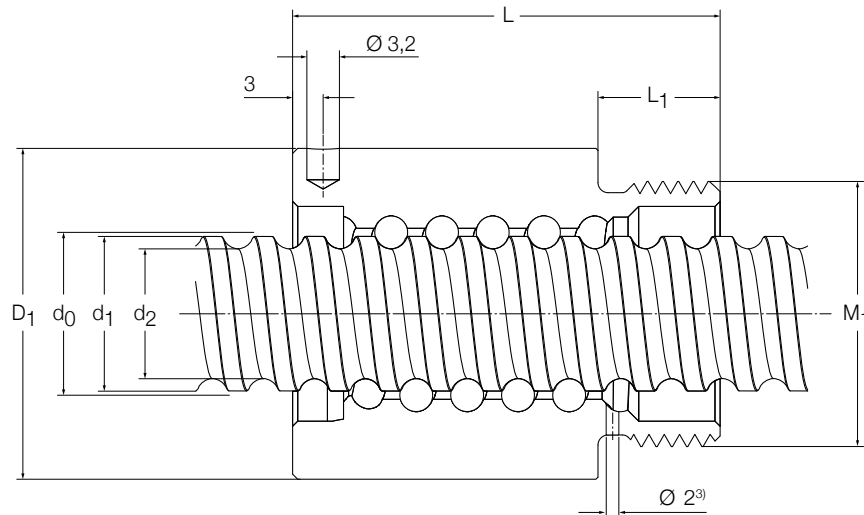
Nominal diameter	Lead (right hand)	Nut			Number of circuits of balls	Std play	Reduced play on request	Inertia	Grease	Weight	Screw			Designation
		Basic load ratings dynamic	static								Mass	Inertia	Grease	
$d_0$ mm	$P_h$ mm	$C_a$ kN	$C_{oa}$	–	mm		kgmm <sup>2</sup>	cm <sup>3</sup>	kg	kg/m	kgmm <sup>2</sup> /m	cm <sup>3</sup> /m	–	
6	2	1,2	1,1	1x2.5	0,05	0,02	7,7	0,1	0,025	0,18	0,7	0,7	SHS 6x2 R	
8	2,5	1,4	1,3	3	0,07	0,03	1,12	0,1	0,025	0,32	2,1	1,1	SDS/BDS 8x2,5 R	
10	2	1,6	1,8	3	0,07	0,03	1,7	0,1	0,03	0,51	5,2	1,4	SDS/BDS 10x2 R	
12	2	1,9	2,3	3	0,07	0,03	1,5	0,1	0,023	0,67	10	1,7	SDS/BDS 12x2 R	
	4	3,1	3,3	3	0,07	0,03	7	0,4	0,066	0,71	10,8	1,6	SDS/BDS 12x4 R	
	5	2,7	2,7	3	0,07	0,03	5	0,6	0,058	0,71	10,1	1,4	SDS/BDS 12x5 R	
14	4	3,8	4,6	3	0,07	0,03	8	0,6	0,083	1,05	22	1,7	SDS/BDS 14x4 R	
16	2	2,1	3,1	3	0,07	0,03	9,2	0,6	0,1	1,4	39,7	1,7	SDS/BDS 16x2 R	
	5	4,8	5,4	3	0,07	0,03	22,7	0,9	0,135	1,3	33,9	2,1	SDS/BDS 16x5 R	

<sup>1)</sup> Except for size SDS/BDS 16x5 R using steel type 100 Cr6 (similar to AISI 52100)

<sup>2)</sup> Available for 12x4 R – 14x4 R – 16x5 R

<sup>3)</sup> It is not possible to supply safety ring and wipers in the same nut

## Dimensional drawing



Screw	Nut		Without wipers L ±0,3 mm	With wipers L <sub>1</sub> mm	Tightening spanner (FACOM)	Screw	Support bearings		Recommended thrust support bearings	Recommended support pillow block	
	d <sub>0</sub> × P <sub>n</sub> mm	D <sub>1</sub> h10 mm					M <sub>1</sub> 6g mm	length max mm			d <sub>2</sub> mm
6×2	16,5	M14×1	20	–	7,5	126-A35	1 000	4,7	6	–	–
8×2,5	17,5	M15×1	23,5	23,5	7,5	126-A35	1 000	6,3	7,6	–	–
10×2	19,5	M17×1	22	22	7,5	126-A35	1 000	8,3	9,5	–	–
12×2	20	M18×1	23,5	23,5	8	126-A35	2 000	9,9	11,2	–	–
12×4	25,5	M20×1	34	34	10	126-A35	2 000	9,4	11,3	–	–
12×5	23	M20×1	40	40	10	126-A35	2 000	9,3	11,8	–	–
14×4	27	M22× 1,5	34	34	8	126-A35	2 000	11,9	13,7	–	–
16×2	29,5	M25×1,5	27	27	12	126-A35	2 000	14,3	15,5	FLBU 16/PLBU 16 <sup>4)</sup>	BUF 16 <sup>4)</sup>
16×5	32,5	M26×1,5	42	42	12	126-A35	2 000	12,7	15,2	FLBU 16/PLBU 16 <sup>4)</sup>	BUF 16 <sup>4)</sup>

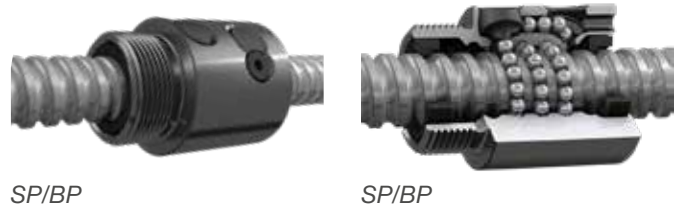
<sup>4)</sup> Support bearings with standard steel

# SP/BP high-performance miniature screws

Rolled thread miniature ball screw, nut with threaded nose

## Features

- Nominal diameter from 8 to 16 mm
- Lead from 2 to 5 mm
- Standard lead precision G7 and G9
- Reduces tangential efforts on the recirculating balls
- Enables up to 2.4 times higher speed limits (ndo < 120 000)
- Reduces noise levels
- Enables smoother running
- Provides much longer service life
- Interchangeable with most existing standard solutions
- Lubrication hole and wiper housings are standard
- Customized axial play and backlash elimination available
- Same attachment as existing series SD



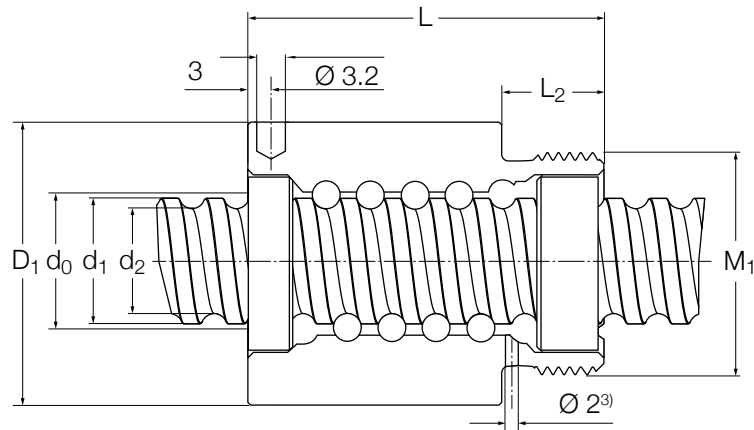
## Benefits

- Smooth running
- Low noise levels
- High speed capability
- Provides longer service
- Easy nut assembly
- Excellent repeatability
- High positioning accuracy

## Technical data

Nominal diameter	Lead (right hand)	Nut			Number of circuits of balls	Std play	Reduced play on request	Inertia	Grease	Weight	Screw			Designation
		Basic load dynamic	Basic load static	C <sub>oa</sub>							Mass	Inertia	Grease	
d <sub>0</sub> mm	P <sub>h</sub> mm	C <sub>a</sub> kN	C <sub>oa</sub>	–	mm	–	kgmm <sup>2</sup>	cm <sup>3</sup>	kg	kg/m	kgmm <sup>2</sup> /m	cm <sup>3</sup> /m	–	
8	2,5	2,2	2,7	1×2,7	0,07	0,03	1,14	0,1	0,024	0,32	2,1	1,1	SP/BP 8×2,5 R	
10	4	4,5	5,5	1×2,7	0,07	0,03	4,53	0,3	0,056	0,43	3,8	1,3	SP/BP 10×4 R	
	5	4,6	5,9	1×2,7	0,07	0,03	5,9	0,5	0,070	0,43	4,0	1,3	SP/BP 10×5 R	
12	2	2,9	4,7	1×2,7	0,07	0,03	2,25	0,1	0,031	0,67	10	1,7	SP/BP 12×2 R	
	4	4,9	6,6	1×2,7	0,07	0,03	7,13	0,4	0,070	0,71	10,8	1,6	SP/BP 12×4 R	
	5	4,2	5,4	1×2,7	0,07	0,03	8,02	0,6	0,078	0,71	10,1	1,4	SP/BP 12×5 R	
16	5	7,6	10,7	1×2,7	0,07	0,03	24,02	0,9	0,14	1,3	33,9	2,1	SP/BP 16×5 R	

## Dimensional drawing



Screw	Nut		Screw				Support bearings				
	$d_0 \times P_n$	$D_1$ h10 mm	$M_1$ 6g mm	Without wipers L $\pm 0,3$ mm	With wipers $L_1$ mm	Tightening spanner (FACOM)	length max mm	$d_2$ mm	$d_1$ mm	Recommended thrust support bearings	Recommended support pillow block
8x2,5	17,5	M15x1	23,5	23,5	7,5	126-A35	1000	6,3	7,6		
10x4	23	M18x1	33	33	8	126-A35	1000	7,4	8,9		
10x5	23	M18x1	39,5	-	10	126-A35	2000	7,4	8,9		
12x2	21	M18x1	23,5	23,5	8	126-A35	2000	9,9	11,2		
12x4	25,5	M20x1	34	34	10	126-A35	2000	9,4	11,3		
12x5	25,5	M20x1	40	40	10	126-A35	2000	9,3	11,8		
16x5	32,5	M26x1,5	42	42	12	126-A35	2000	12,7	15,2	FLBU 16/PLBU 16	BUF 16

# SX/BX universal screws

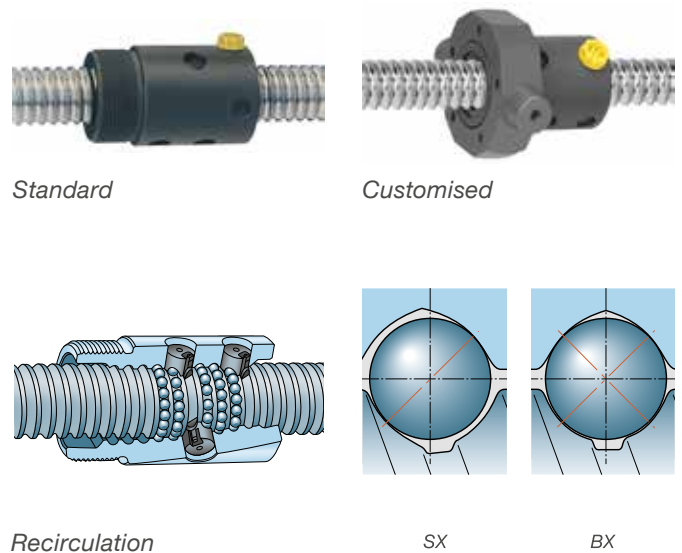
Rolled thread ball screw with recirculation through inserts, nut with threaded nose

## Features

- Nominal diameter from 20 to 63 mm
- Lead from 5 to 40 mm
- Standard composite recirculation inserts
- Optional steel recirculation inserts
- Lubrication hole for grease nipple or for automatic lubrication kit
- Phosphate coating on nut
- Optional shaft surface coating
- Optional safety nuts. Please contact Ewellix for selection and usage of this option
- Optional nut flanges (L→ pages 30 to 31)
- Optional wipers<sup>1)</sup>.

## Benefits

- Minimum nut outside diameter and threaded nose for easy assembly
- Nut design well suited and economical for transport screw applications
- Optional steel recirculation inserts can act as a safety device for severe or vertical applications. Please contact Ewellix for such applications
- Backlash elimination by oversized balls on request (BX designation) for applications with vibrations / changes of direction, over maximum length of 1 000 mm.

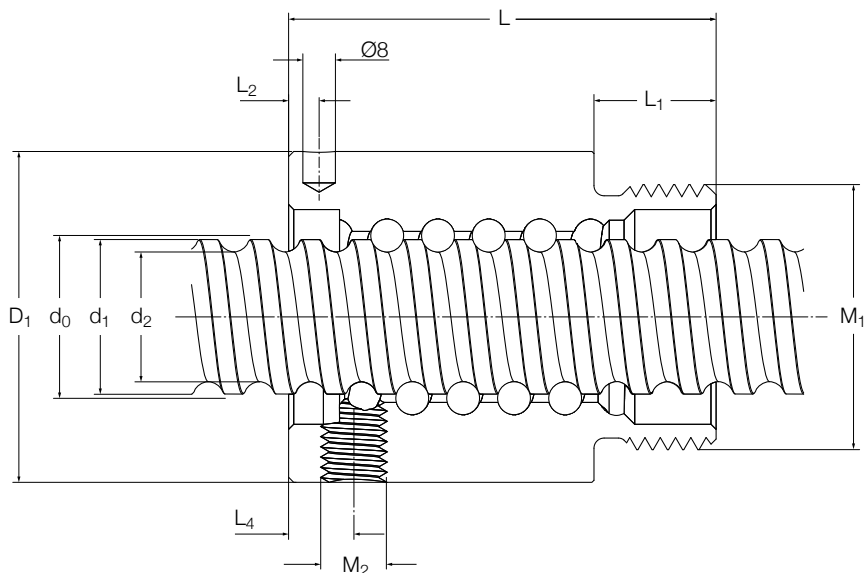


## Technical data

Nominal diameter	Lead (right hand)	Nut				Std play	Reduced play on request	Preload torque zero play	Inertia	Grease	Weight	Screw		Designation	
		Basic load ratings dynamic	Basic load ratings static	Number of circuits of balls								Mass	Inertia	Grease	
$d_0$ mm	$P_h$ mm	$C_a$ kN	$C_{oa}$	-	mm	$T_{pr}$ Nm	kgmm <sup>2</sup>	cm <sup>3</sup>	kg	kg/m	kgmm <sup>2</sup> /m	cm <sup>3</sup> /m	-		
20	5	14	23,8	4	0,1	0,05	0,1	60	1,3	0,24	2	85	2,7	SX/BX 20x5 R	
25	5	19	37,8	5	0,1	0,05	0,17	125	2,5	0,39	3,3	224	3,4	SX/BX 25x5 R	
	10	23,5	39	4	0,12	0,08	0,23	135	4,6	0,4	3,2	255	3,2	SX/BX 25x10 R	
32	5	22	51,6	5	0,1	0,05	0,25	230	2,6	0,48	5,6	641	4,4	SX/BX 32x5 R	
	10	27,1	52	4	0,12	0,08	0,32	400	5,9	0,77	5,6	639	3,7	SX/BX 32x10 R	
40	5	24,3	65,6	5	0,1	0,05	0,34	390	3,3	0,58	9	1 639	5,6	SX/BX 40x5 R	
	10	61,5	124,1	5	0,12	0,08	0,64	840	12,4	1,25	8,4	1 437	5	SX/BX 40x10 R	
	40	31,3	72,9	2x1,9	0,1	0,05	0,64	1 200	14,4	1,6	8,1	1 330	5,2	SX/BX 40x40 R	
50	10	80,4	188,8	6	0,12	0,08	1,02	2 400	19,9	2,4	13,6	3 736	6,3	SX/BX 50x10 R	
63	10	91,2	248,3	6	0,12	0,08	1,44	4 620	25,4	3,1	22	9 913	8,1	SX/BX 63x10 R	

<sup>1)</sup>Not available for SX/BX 40x40

**Dimensional drawing**



Screw	Nut		Screw						Tightening spanner	Screw		Support bearings	
	$d_0 \times P_h$	$D_1$	$M_1$	L	$L_1$	$L_2$	$L_4$	$M_2^{1)}$		length max	$d_2$	$d_1$	Recommended thrust support bearings
mm	mm	mm	mm	mm	mm	mm	mm	mm	mm	mm	mm	mm	mm
<b>20x5</b>	38	M35x1,5	54	14	8	8	M6x1	HN5	3 700	16,7	19,4	<b>PLBU 20/FLBU 20<sup>2)</sup></b>	<b>BUF 20</b>
<b>25x5</b>	43	M40x1,5	69	19	8	8	M6x1	HN6	4 700	21,7	24,6	<b>PLBU 25/FLBU 25</b>	<b>BUF 25</b>
<b>25x10</b>	43	M40x1,5	84	19	12	12	M6x1	HN6	4 700	20,5	24,6	<b>PLBU 25/FLBU 25</b>	<b>BUF 25</b>
<b>32x5</b>	52	M48x1,5	64	19	8	8	M6x1	HN7	5 700	28,7	31,6	<b>PLBU 32/FLBU 32</b>	<b>BUF 32</b>
<b>32x10</b>	54	M48x1,5	95	19	15	15	M6x1	HN7	5 700	27,8	32	<b>PLBU 32/FLBU 32/FLRBU 3<sup>3)</sup></b>	<b>BUF 32</b>
<b>40x5</b>	60	M56x1,5	65	19	8	8	M6x1	HN9	5 700	36,7	39,6	<b>PLBU 40/FLBU 40</b>	<b>BUF 40</b>
<b>40x10</b>	65	M60x2	105	24	15	13	M8x1	HN9	5 700	34	39,4	<b>PLBU 40/FLBU 40/FLRBU 4<sup>3)</sup></b>	<b>BUF 40</b>
<b>40x40</b>	65	M60x2	121	24	20	48,6	M8x1	HN9	5 700	34,2	38,3	<b>PLBU 40/FLBU 40</b>	<b>BUF 40</b>
<b>50x10</b>	78	M72x2	135	29	15	15	M8x1	HN12	5 700	44	49,7	<b>PLBU 50/FLBU 50/FLRBU 5<sup>3)</sup></b>	<b>BUF 50</b>
<b>63x10</b>	93	M85x2	135	29	15	15	M8x1	HN14	5 700	57	62,8	<b>PLBU 63/FLBU 63</b>	<b>BUF 63</b>

<sup>1)</sup> Threaded lubrication hole M2 indexed to ISO thread M1

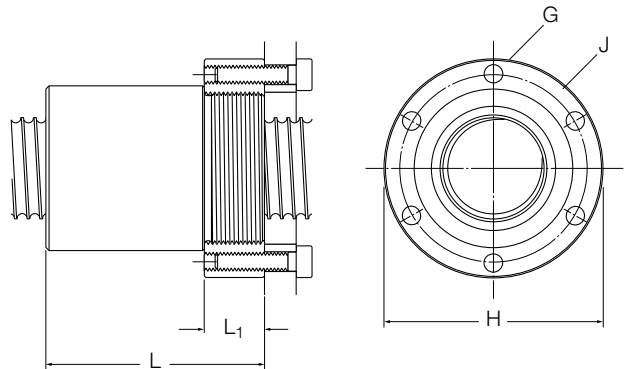
<sup>2)</sup> For high load application, please contact Ewellix

<sup>3)</sup> For high load application, use FLRBU type. Please refer to roller screws catalogue for end shaft and support bearings definitions

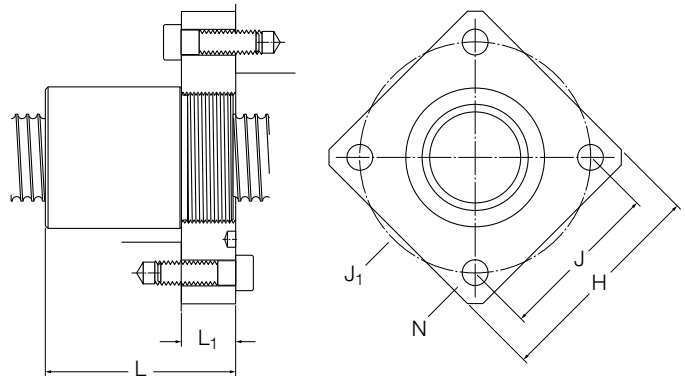
## Dedicated flanges for SX/BX nuts



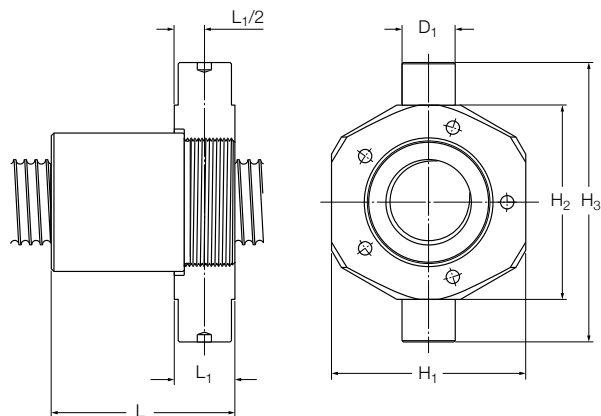
*SX nut with round flange (FHRF)*



*SX nut with square flange (FHSF)*



*SX nut with trunnions flange (FHTF)*



Nominal diameter	Lead	Dimensions					Designation		
		$d_0$	$P_h$	L	$L_1$ h14	G		H	J
mm	mm	mm							-
20	5	55	15	M5	52	44			FHRF 20
25	5	70	20	M6	60	50			FHRF 25
	10	85	20	M6	60	50			FHRF 25
32	5	65	20	M6	69	59			FHRF 32
	10	96	20	M6	69	59			FHRF 32
40	5	66	20	M8	82	69			FHRF 40x5
	10	106	25	M10	92	76			FHRF 40x10
	40	122	25	M10	92	76			FHRF 40x10
50	10	136	30	M12	110	91			FHRF 50
63	10	136	30	M12	125	106			FHRF 63

Nominal diameter	Lead	Dimensions						Designation	
		$d_0$	$P_h$	L	$L_1$ h14	H	J		$J_1$
mm	mm	mm				js12			-
20	5	55	15	60	45	63,6	6,6		FHSF 20
25	5	70	20	70	52	73,5	9		FHSF 25
	10	85	20	70	52	73,5	9		FHSF 25
32	5	65	20	80	60	84,8	9		FHSF 32
	10	96	20	80	60	84,8	9		FHSF 32
40	5	66	20	90	70	99	11		FHSF 40x5
	10	106	25	100	78	110,3	13		FHSF 40x10
	40	122	25	100	78	110,3	13		FHSF 40x10
50	10	136	30	120	94	133	15		FHSF 50
63	10	136	30	130	104	147	15		FHSF 63

Nominal diameter	Lead	Dimensions						Designation	Bushing designation <sup>1)</sup>	
		$d_0$	$P_h$	L	$L_1$	$H_1$ js16	$H_2$ h12			$H_3$ h12
mm	mm	mm							-	
20	5	57	17	55	56	80	15		FHTF 20	151710A
25	5	71	21	60	65	97	18		FHTF 25	182015A
	10	86	21	60	65	97	18		FHTF 25	182015A
32	5	68	23	73	73	105	20		FHTF 32	202315A
	10	99	23	73	73	105	20		FHTF 32	202315A
40	5	69	23	85	85	117	20		FHTF 40x5	202315A
	10	108,5	27,5	98	98	140	25		FHTF 40x10	252820A
	40	124,5	27,5	98	98	140	25		FHTF 40x10	252820A
50	10	139	33	120	120	162	30		FHTF 50	303420A
63	10	139	33	135	135	177	30		FHTF 63	303420A

<sup>1)</sup> Recommended bushing to be mounted on the trunnions

# SND/BND precision screws, DIN standard 69051

Rolled thread ball screw with recirculation through inserts, DIN nut

## Features

- Nominal diameter from 16 to 63 mm
- Lead from 5 to 10 mm
- Standard composite recirculation inserts
- Optional steel recirculation inserts
- Standard lead precision G5, G7 and G9
- Nut ground outside diameter / flange face
- Precision ground nut thread<sup>1)</sup>
- Lubrication hole for grease nipple or for automatic lubrication kit
- Optional surface coating on shaft and nut
- Optional safety nuts. Please contact Ewellix for selection and usage of this option
- Optional wipers.

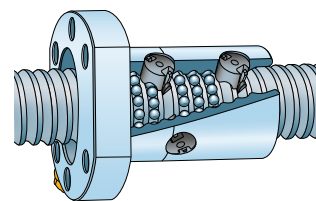
## Benefits

- Compact nut / integral flange for easy assembly
- Design well suited for positioning screws. G5 lead precision of ground ball screws
- Optional steel recirculation inserts can act as a safety device for severe or vertical applications. Please contact Ewellix for such applications
- Backlash elimination by oversized balls on request (BND designation), over maximum length of 1 000 mm.

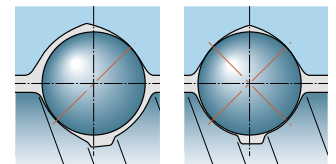


Standard

Assembly with flanged support bearing



Recirculation



SND

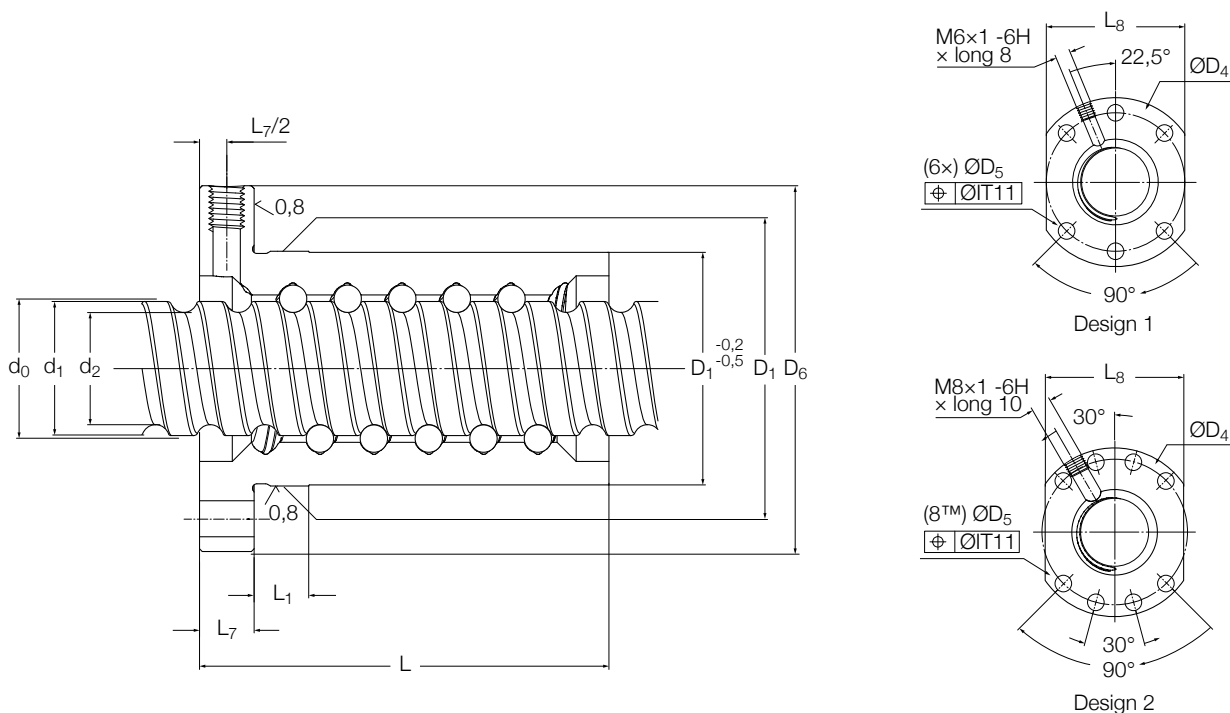
BND

## Technical data

Nominal diameter	Lead (right hand)	Nut			Number of circuits of balls	Std play	Reduced play on request	Preload torque zero play	Screw			Designation		
		Basic load ratings dynamic	Basic load ratings static	C <sub>oa</sub>					Mass	Inertia	Grease			
d <sub>0</sub> mm	P <sub>h</sub> mm	C <sub>a</sub> kN	C <sub>oa</sub>	–	mm	T <sub>pr</sub>	kgmm <sup>2</sup>	cm <sup>3</sup>	kg	kg/m	kgmm <sup>2</sup> /m	cm <sup>3</sup> /m	–	
16	5	7,8	10,7	3	0,08	0,05	0,05	40	0,9	0,17	1,3	33	2,1	SND/BND 16x5 R
	10	10,7	17,2	2x1,8	0,07	0,03	0,06	41	1,6	0,18	1,21	30,7	2,1	SND/BND 16x10 R
20	5	11,3	17,9	3	0,1	0,05	0,08	86	1,1	0,24	2	85	2,7	SND/BND 20x5 R
25	5	12,7	22,7	3	0,1	0,05	0,11	117	1,6	0,29	3,3	224	3,4	SND/BND 25x5 R
	10	24,1	39	4	0,12	0,08	0,23	144	4,5	0,38	3,2	255	3,2	SND/BND 25x10 R
32	5	19	41,3	4	0,1	0,05	0,21	364	2,1	0,54	5,6	641	4,5	SND/BND 32x5 R
	10	21,9	39	3	0,12	0,08	0,25	384	4,6	0,58	5,6	639	4,2	SND/BND 32x10 R
40	5	25,6	65,6	5	0,1	0,05	0,25	855	3,1	0,92	9	1 639	5,6	SND/BND 40x5 R
	10	63,3	124,1	5	0,12	0,08	0,64	1 010	10,7	1,3	8,4	1 437	5,1	SND/BND 40x10 R
50	10	71,3	157,3	5	0,12	0,08	0,88	2 130	13,1	1,8	13,6	3 736	6,5	SND/BND 50x10 R
63	10	81,5	206,9	5	0,12	0,08	1,23	4 075	16,1	2,4	22	9 913	8,4	SND/BND 63x10 R

<sup>1)</sup> Except 16x10 R: nut thread is not ground

**Dimensional drawing**



Screw	Nut		Screw	Support bearings										
	D <sub>1</sub>	D <sub>4</sub>		Recommended thrust support bearings	Recommended support pillow block									
d <sub>0</sub> x P <sub>n</sub>	D <sub>1</sub>	D <sub>4</sub>	Design	D <sub>5</sub>	D <sub>6</sub>	L	L <sub>1</sub>	L <sub>7</sub>	L <sub>8</sub>	length max	d <sub>2</sub>	d <sub>1</sub>		
mm	6g mm	mm		H13 mm	h13				h13	mm	mm	mm	-	
<b>16x5</b>	28	38	1	5,5	48	43,5	10	10	40	2 000	12,7	15,2	<b>FLBU 16/PLBU 16</b>	<b>BUF 16</b>
<b>16x10</b>	28	38	1	5,5	48	47	37	10	40	2 000	12,6	15,2	<b>FLBU 16/PLBU 16</b>	<b>BUF 16</b>
<b>20x5</b>	36	47	1	6,6	58	44,5	10	10	44	3 700	16,7	19,4	<b>PLBU 20/FLBU 20</b>	<b>BUF 20</b>
<b>25x5</b>	40	51	1	6,6	62	44,5	10	10	48	4 700	21,7	24,6	<b>PLBU 25/FLBU 25</b>	<b>BUF 25</b>
<b>25x10</b>	40	51	1	6,6	62	75	10	10	48	4 700	20,5	24,6	<b>PLBU 25/FLBU 25</b>	<b>BUF 25</b>
<b>32x5</b>	50	65	1	9	80	51,5	10	12	62	5 700	28,7	31,6	<b>PLBU 32/FLBU 32</b>	<b>BUF 32</b>
<b>32x10</b>	50	65	1	9	80	64	10	12	62	5 700	27,8	32	<b>PLBU 32/FLBU 32</b>	<b>BUF 32</b>
<b>40x5</b>	63	78	2	9	93	58,5	10	14	70	5 700	36,7	39,6	<b>PLBU 40/FLBU 40</b>	<b>BUF 40</b>
<b>40x10</b>	63	78	2	9	93	91	20	14	70	5 700	34	39,4	<b>PLBU 40/FLBU 40/FLRBU 4<sup>2)</sup></b>	<b>BUF 40</b>
<b>50x10</b>	75	93	2	11	110	93	10	16	85	5 700	44	49,7	<b>PLBU 50/FLBU 50/FLRBU 5<sup>2)</sup></b>	<b>BUF 50</b>
<b>63x10</b>	90	108	2	11	125	95	10	18	95	5 700	57	62,8	<b>PLBU 63/FLBU 63</b>	<b>BUF 63</b>

<sup>2)</sup> For high load application, use FLRBU type. Please refer to roller screws catalogue for end shaft and support bearings definitions

# PND preloaded screws, DIN standard 69051

Rolled thread ball screw with recirculation through inserts, DIN nut

## Features

- Nominal diameter from 16 to 63 mm
- Lead from 5 to 10 mm
- Standard composite recirculation inserts
- Optional steel recirculation inserts
- Standard lead precision G5, G7 and G9
- Nut ground outside diameter / flange face
- Precision ground nut thread<sup>1)</sup>
- Standard preload 7% to 8,5% of ball screw Ca value, depending on ball screw size
- Lubrication hole for grease nipple or for automatic lubrication kit
- Optional surface coating on shaft and nut
- Optional safety nuts. Please contact Ewellix for selection and usage of this option
- Optional wipers.

## Benefits

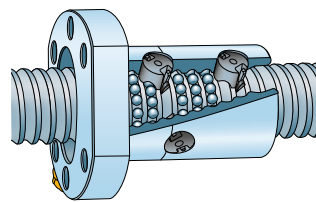
- Compact nut / integral flange for easy assembly
- One-piece nut<sup>1)</sup> with internal preload for compactness and optimum rigidity
- Design well suited for positioning screws. G5 lead precision of ground ball screws
- Optional steel recirculation inserts can act as a safety device for severe or vertical applications. Please contact Ewellix for such applications.



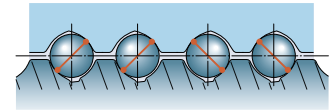
Standard



Assembly with pillow block



Recirculation



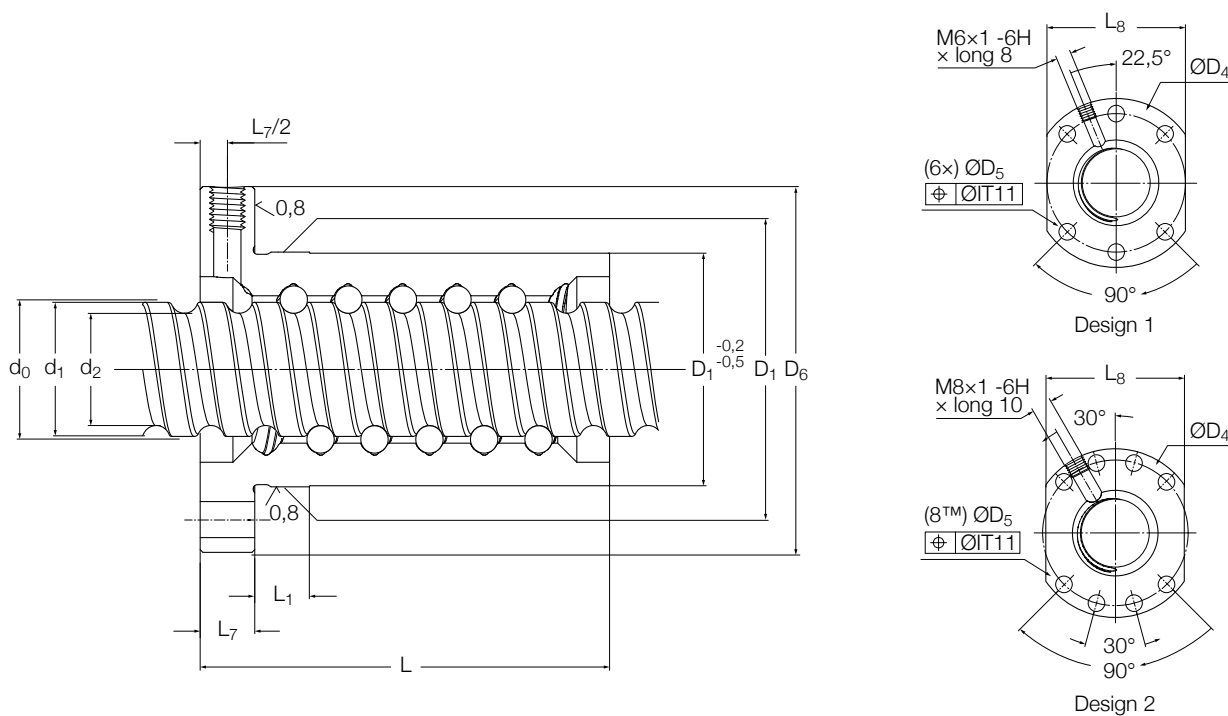
PND

## Technical data

Nominal diameter	Lead (right hand)	Nut			Number of circuits of balls	Preload torque average	Stiffness	Inertia	Grease	Weight	Screw		Designation
		Basic load ratings dynamic	static	C <sub>oa</sub>							Mass	Inertia	
d <sub>0</sub> mm	P <sub>h</sub> mm	C <sub>a</sub> kN	C <sub>oa</sub>	–	T <sub>pr</sub> Nm	Rn N/μm	kgmm <sup>2</sup>	cm <sup>3</sup>	kg	kg/m	kgmm <sup>2</sup> /m	cm <sup>3</sup> /m	–
16	5	5,5	7,1	2×2	0,08	147	46	1	0,19	1,3	33	2,1	PND 16×5 R
	10	10,7	17,2	2×2×1,8	0,15	263	56	2,7	0,28	1,21	30,7	1,9	PND 16×10 R <sup>1)</sup>
20	5	8	11,9	2×2	0,14	248	91	1,3	0,26	2	85	2,7	PND 20×5 R
25	5	12,7	22,7	2×3	0,28	436	405	2	0,4	3,3	224	3,4	PND 25×5 R
	10	13,3	19,5	2×2	0,3	264	245	4,5	0,53	3,2	255	3,2	PND 25×10 R
32	5	19	41,3	2×4	0,52	734	453	3,2	0,715	5,6	641	3,2	PND 32×5 R
	10	21,9	39	2×3	0,61	490	490	7,6	0,81	5,6	639	4,1	PND 32×10 R
40	5	25,6	65,6	2×5	0,71	968	1 110	4,8	1,3	9	1 639	5,5	PND 40×5 R
	10	52,2	99,3	2×4	1,47	793	1 290	15,5	1,8	8,4	1 437	4,9	PND 40×10 R
50	10	71,3	157,3	2×5	2,47	1 222	2 940	27,5	2,6	13,6	3 736	7,9	PND 50×10 R
63	10	81,5	206,9	2×5	3,46	1 448	5 290	26,8	3,2	22	9 913	7,9	PND 63×10 R

<sup>1)</sup> Except 16×10 R: nut thread is not ground, double nut design

**Dimensional drawing**



Screw	Nut									Screw			Support bearings	
$d_0 \times P_h$	$D_1$	$D_4$	Design	$D_5$	$D_6$	L	$L_1$	$L_7$	$L_8$	length	$d_2$	$d_1$	Recommended thrust	Recommended
mm	6g	js12		H13	h13				h13	max			support bearings	support pillow
	mm									mm			-	block
<b>16x5</b>	28	38	1	5,5	48	48	10	10	40	2 000	12,7	15,2	<b>FLBU 16/PLBU 16</b>	<b>BUF 16</b>
<b>16x10</b>	28	38	1	5,5	48	87	77	10	40	2 000	12,6	15,2	<b>FLBU 16/PLBU 16</b>	<b>BUF 16</b>
<b>20x5</b>	36	47	1	6,6	58	50	10	10	44	3 700	16,7	19,4	<b>PLBU 20/FLBU 20</b>	<b>BUF 20</b>
<b>25x5</b>	40	51	1	6,6	62	62	10	10	48	4 700	21,7	24,6	<b>PLBU 25/FLBU 25</b>	<b>BUF 25</b>
<b>25x10</b>	40	51	1	6,6	62	75	10	10	48	4 700	20,5	24,6	<b>PLBU 25/FLBU 25</b>	<b>BUF 25</b>
<b>32x5</b>	50	65	1	9	80	74	10	12	62	5 700	28,7	31,6	<b>PLBU 32/FLBU 32</b>	<b>BUF 32</b>
<b>32x10</b>	50	65	1	9	80	100	10	12	62	5 700	27,8	32	<b>PLBU 32/FLBU 32</b>	<b>BUF 32</b>
<b>40x5</b>	63	78	2	9	93	88	10	14	70	5 700	36,7	39,6	<b>PLBU 40/FLBU 40</b>	<b>BUF 40</b>
<b>40x10</b>	63	78	2	9	93	130	20	14	70	5 700	34	39,4	<b>PLBU 40/FLBU 40/FLRBU 4<sup>2)</sup></b>	<b>BUF 40</b>
<b>50x10</b>	75	93	2	11	110	151	10	16	85	5 700	44	49,7	<b>PLBU 50/FLBU 50/FLRBU 5<sup>2)</sup></b>	<b>BUF 50</b>
<b>63x10</b>	90	108	2	11	125	153	10	18	95	5 700	57	62,8	<b>PLBU 63/FLBU 63</b>	<b>BUF 63</b>

<sup>2)</sup> For high load application, use FLRBU type. Please refer to roller screws catalogue for end shaft and support bearings definitions

# SN/BN precision screws

Rolled thread ball screw with recirculation through inserts, cylindrical flange

## Features

- Nominal diameter from 16 to 63 mm
- Lead from 5 to 10 mm
- Standard composite recirculation inserts
- Optional steel recirculation inserts
- Standard lead precision G5, G7 and G9
- Nut ground outside diameter / flange face
- Precision ground nut thread
- Lubrication hole for grease nipple or for automatic lubrication kit
- Optional surface coating on shaft and nut
- Optional safety nuts. Please contact Ewellix for selection and usage of this option
- Optional wipers.

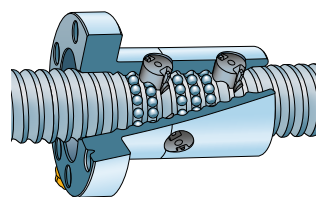
## Benefits

- Economical compact nut / integral flange for easy assembly
- Design well suited for positioning screws. G5 lead precision of ground ball screws
- Optional steel recirculation inserts can act as a safety device for severe or vertical applications. Please contact Ewellix for such applications
- Backlash elimination by oversized balls on request (BN designation), over maximum length of 1 000mm.

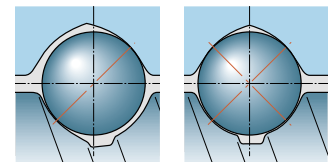


Standard

Customised



Recirculation



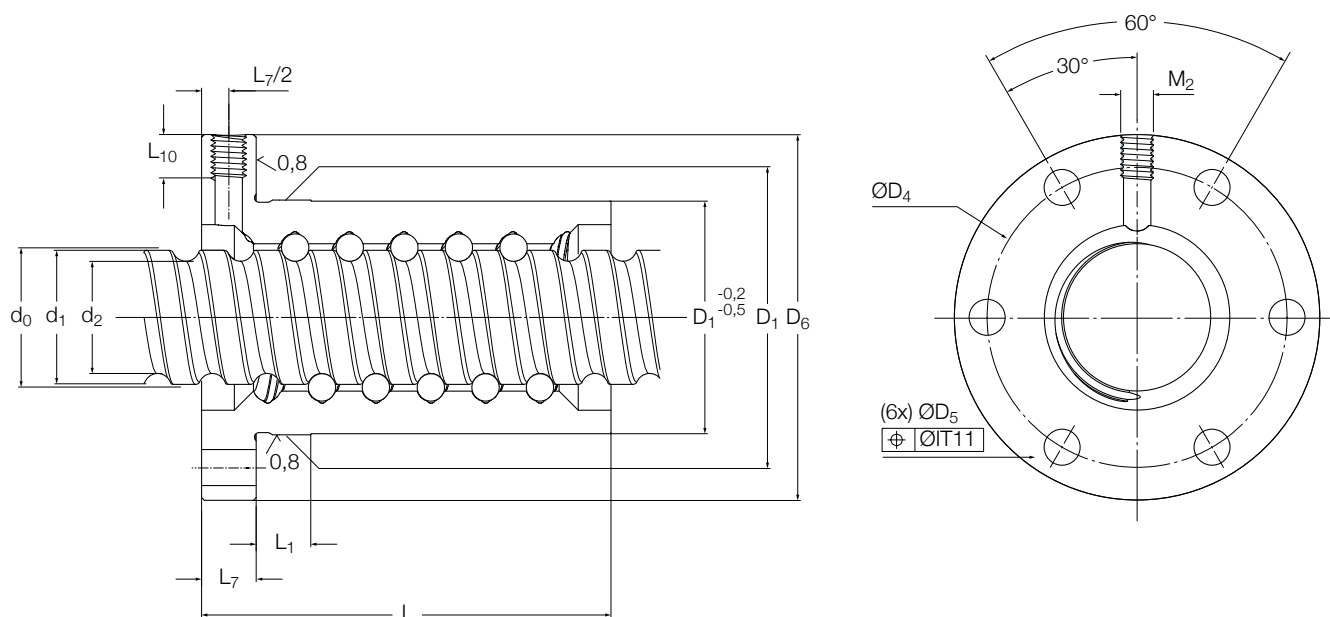
SN

BN

## Technical data

Nominal diameter	Lead (right hand)	Nut			Std play	Reduced play on request	Preload torque zero play $T_{pr}$	Inertia	Grease	Weight	Screw		Grease	Designation
		Basic load ratings dynamic	static	Number of circuits of balls							Mass	Inertia		
$d_o$ mm	$P_h$ mm	$C_a$ kN	$C_{oa}$	-	mm		kgmm <sup>2</sup>	cm <sup>3</sup>	kg	kg/m	kgmm <sup>2</sup> /m	cm <sup>3</sup> /m	-	
16	5	7,8	10,7	3	0,08	0,05	0,05	45	0,9	0,18	1,3	33	2,1	SN/BN 16x5 R
20	5	11,3	17,9	3	0,1	0,05	0,08	88	1,2	0,24	2	85	2,7	SN/BN 20x5 R
25	5	12,7	22,7	3	0,1	0,05	0,11	127	1,6	0,28	3,3	224	3,4	SN/BN 25x5 R
	10	24,1	39	4	0,12	0,08	0,23	244	4,5	0,53	3,2	255	3,2	SN/BN 25x10 R
32	5	19	41,3	4	0,1	0,05	0,21	250	2,1	0,4	5,6	641	4,5	SN/BN 32x5 R
	10	21,9	39	3	0,12	0,08	0,25	673	4,6	0,83	5,6	639	4,2	SN/BN 32x10 R
40	5	25,6	65,6	5	0,1	0,05	0,25	495	3,1	0,58	9	1 639	5,6	SN/BN 40x5 R
	10	63,3	124,1	5	0,12	0,08	0,64	1 285	10,7	1,4	8,4	1437	5,1	SN/BN 40x10 R
50	10	71,3	157,3	5	0,12	0,08	0,88	1 305	13,1	1,8	13,6	3 736	6,5	SN/BN 50x10 R
63	10	81,5	206,9	5	0,12	0,08	1,23	4 180	16,1	2,25	22	9 913	8,4	SN/BN 63x10 R

Dimensional drawing



Screw	Nut		Screw							Support bearings		Recommended support pillow block		
	$d_0 \times P_h$ mm	$D_1$ 6g mm	$D_4$	$D_5$ H13	$D_6$ h13	L	$L_1$	$L_7$	$L_{10}$	$M_2$ 6H	length max mm		$d_2$	$d_1$
16x5	28	38	6x5.5	48	43,5	10	10	8	M6	2 000	12,7	15,2	FLBU 16 / PLBU 16	BUF 16
20x5	33	45	6x6.6	57	44,5	10	10	8	M6	3 700	16,7	19,4	PLBU 20 / FLBU 20	BUF 20
25x5	38	50	6x6.6	62	44,5	10	10	8	M6	4 700	21,7	24,6	PLBU 25 / FLBU 25	BUF 25
25x10	43	55	6x6.6	67	75	10	10	8	M6	4 700	20,5	24,6	PLBU 25 / FLBU 25	BUF 25
32x5	45	58	6x6.6	70	51,5	10	12	8	M6	5 700	28,7	31,6	PLBU 32 / FLBU 32	BUF 32
32x10	54	70	6x9	87	64	10	12	10	M8x1	5 700	27,8	32	PLBU 32 / FLBU 32	BUF 32
40x5	53	68	6x6.6	80	58,5	10	14	8	M6	5 700	36,7	39,6	PLBU 40 / FLBU 40	BUF 40
40x10	63	78	6x9	95	91	20	14	10	M8x1	5 700	34	39,4	PLBU 40 / FLBU 40 / FLRBU 4 <sup>1)</sup>	BUF 40
50x10	72	90	6x11	110	93	10	16	10	M8x1	5 700	44	49,7	PLBU 50 / FLBU 50 / FLRBU 5 <sup>1)</sup>	BUF 50
63x10	85	105	6x11	125	95	10	18	10	M8x1	5 700	57	62,8	PLBU 63 / FLBU 63	BUF 63

<sup>1)</sup> For high load application, use FLRBU type. Please refer to roller screws catalogue for end shaft and support bearings definitions

# PN preloaded screws

Rolled thread ball screw with recirculation through inserts, cylindrical flange

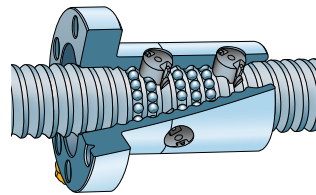
## Features

- Nominal diameter from 16 to 63 mm
- Nominal diameter from 16 to 63 mm
- Lead from 5 to 10 mm
- Standard composite recirculation inserts
- Optional steel recirculation inserts
- Standard lead precision G5, G7 and G9
- Nut ground outside diameter / flange face
- Precision ground nut thread
- Standard preload 7% to 8,5% of ball screw Ca value, depending on ball screw size
- Lubrication hole for grease nipple or for automatic ubrication kit
- Optional surface coating on shaft and nut
- Optional safety nuts. Please contact Ewellix for selection and usage of this option
- Optional wipers.

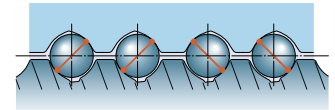


Standard

Customised



Recirculation



PN

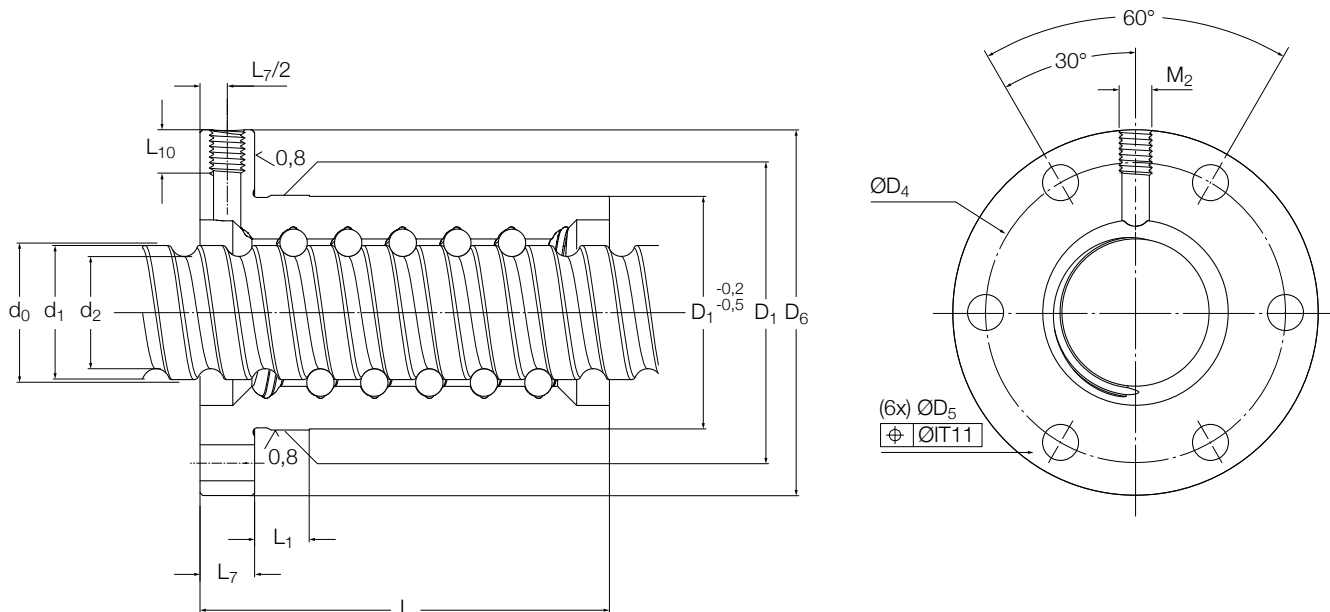
## Benefits

- Economical compact nut / integral flange for easy assembly
- One-piece nut with internal preload for compactness and optimum rigidity
- Design well suited for positioning screws. G5 lead precision of ground ball screws
- Optional steel recirculation inserts can act as a safety device for severe or vertical applications. Please contact Ewellix for such applications. Backlash elimination by oversized balls on request (BN designation), over maximum length of 1 000 mm.

## Technical data

Nominal diameter	Lead (right hand)	Nut			Number of circuits of balls	Preload torque zero play $T_{pr}$	Stiffness $R_n$	Inertia	Grease	Weight	Screw		Grease	Designation
		Basic load ratings dynamic	static	$C_{oa}$							Mass	Inertia		
$d_0$ mm	$P_h$ mm	$C_a$ kN	$C_{oa}$	-	-	$N/\mu m$	$kgmm^2$	$cm^3$	kg	kg/m	$kgmm^2/m$	$cm^3/m$	-	
16	5	5,5	7,1	2x2	0,08	147	46	1	0,19	1,3	33	2,1	PN 16x5 R	
20	5	8	11,9	2x2	0,14	248	91	1,1	0,26	2	85	2,4	PN 20x5 R	
25	5	17,7	22,7	2x3	0,28	436	400	2,1	0,39	3,3	224	3,4	PN 25x5 R	
	10	13,3	19,5	2x2	0,3	264	245	4,1	0,53	3,2	255	2,8	PN 25x10 R	
32	5	19	41,3	2x4	0,52	734	390	3,2	0,5	5,6	641	4,4	PN 32x5 R	
	10	21,9	39	2x3	0,61	490	830	7,6	1,13	5,6	639	4,1	PN 32x10 R	
40	5	25,6	65,6	2x5	0,71	968	585	4,8	0,74	9	1 639	5,5	PN 40x5 R	
	10	52,2	99,3	2x4	1,47	793	1 530	14,6	1,8	8,4	1 437	4,9	PN 40x10 R	
50	10	71,3	157,3	2x5	2,47	1 222	2 930	27,5	2,6	13,6	3 736	7,9	PN 50x10 R	
63	10	81,5	206,9	2x5	3,46	1 448	5 980	26,8	3,2	22	9 913	7,9	PN 63x10 R	

**Dimensional drawing**



Screw	Nut		Screw								Support bearings			
	$d_0 \times P_n$ mm	$D_1$ 6g mm	$D_4$	$D_5$ H13	$D_6$ h13	L	$L_1$	$L_7$	$L_{10}$	$M_2$ 6H	length max mm	$d_2$	$d_1$	Recommended thrust support bearings
<b>16x5</b>	28	38	6x5,5	48	48	10	10	8	M6	2 000	12,7	15,2	<b>FLBU 16/PLBU 16</b>	<b>BUF 16</b>
<b>20x5</b>	33	45	6x6,6	57	50	10	10	8	M6	3 700	16,7	19,4	<b>PLBU 20/FLBU 20</b>	<b>BUF 20</b>
<b>25x5</b>	38	50	6x6,6	62	62	10	10	8	M6	4 700	21,7	24,6	<b>PLBU 25/FLBU 25</b>	<b>BUF 25</b>
<b>25x10</b>	43	55	6x6,6	67	75	10	10	8	M6	4 700	20,5	24,6	<b>PLBU 25/FLBU 25</b>	<b>BUF 25</b>
<b>32x5</b>	45	58	6x6,6	70	74	10	12	8	M6	5 700	28,7	31,6	<b>PLBU 32/FLBU 32</b>	<b>BUF 32</b>
<b>32x10</b>	54	70	6x9	87	100	10	12	10	M8x1	5 700	27,8	32	<b>PLBU 32/FLBU 32</b>	<b>BUF 32</b>
<b>40x5</b>	53	68	6x6,6	80	88	10	14	8	M6	5 700	36,7	39,6	<b>PLBU 40/FLBU 40</b>	<b>BUF 40</b>
<b>40x10</b>	63	78	6x9	95	126	20	14	10	M8x1	5 700	34	39,4	<b>PLBU 40/FLBU 40/FLRBU 4<sup>1)</sup></b>	<b>BUF 40</b>
<b>50x10</b>	72	90	6x11	110	151	10	16	10	M8x1	5 700	44	49,7	<b>PLBU 50/FLBU 50/FLRBU 5<sup>1)</sup></b>	<b>BUF 50</b>
<b>63x10</b>	85	105	6x11	125	153	10	18	10	M8x1	5 700	57	62,8	<b>PLBU 63/FLBU 63</b>	<b>BUF 63</b>

<sup>1)</sup>For high load application, use FLRBU type. Please refer to roller screws catalogue for end shaft and support bearings definitions

# SL/TL long lead screws

Rolled thread ball screw for high linear speed

## Features

- Nominal diameter from 25 to 50 mm
- Lead from 20 to 50 mm
- Lubrication hole for grease nipple or for automatic lubrication kit
- Standard protection at each end of the nut with composite wipers integrated into recirculation caps (NOWPR)
- Optional double protection at each end of the nut with additional brush wipers fitted into recirculation caps (WPR)
- Optional surface coating on shaft and nut
- Optional safety nuts. Please contact Ewellix for selection and usage of this option.

## Benefits

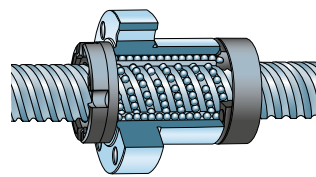
- High rotational speed up to  $nd_0 = 90\,000$ , resulting in high linear speed up to 110 m/min
- Nut design well suited for transport and positioning screw applications requiring high velocity such as woodworking, some functions in plastic injection presses, pick-&-place, etc.
- Backlash elimination (TL designation).



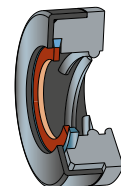
Standard



Customised



Recirculation

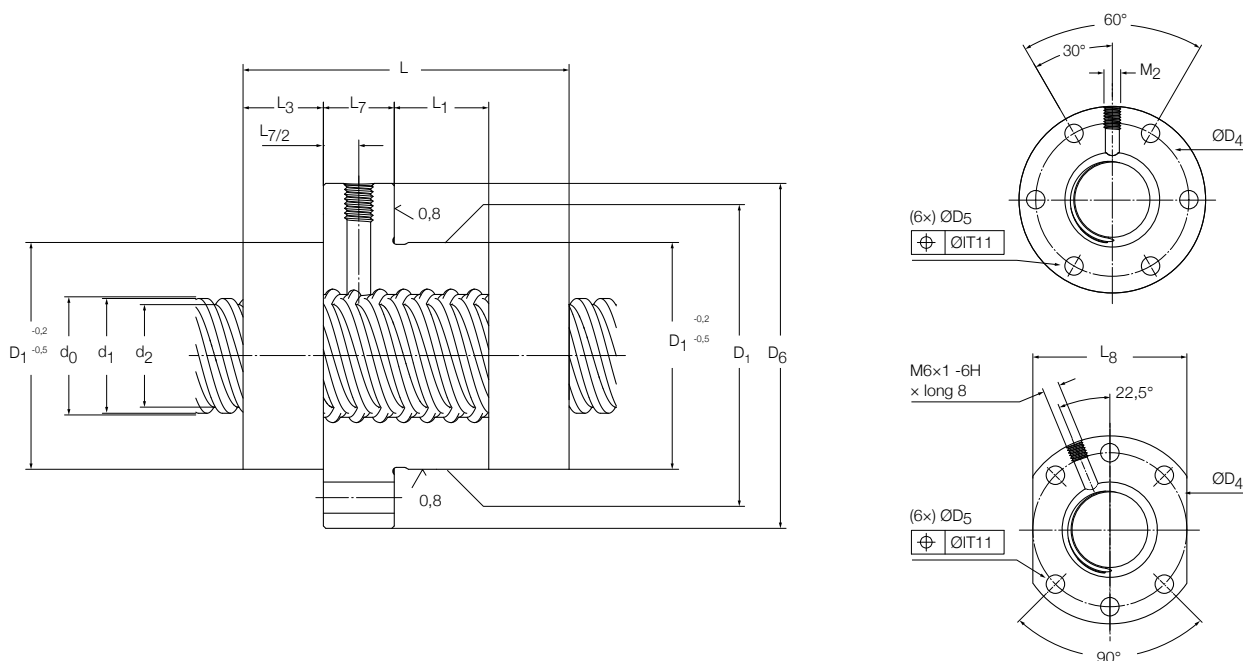


Optional double protection

## Technical data

Nominal diameter	Lead	Nut						Number of circuits of balls	Screw				Designation		
		SL (with play)		Std play	TL (with backlash elimination)		Inertia		Grease	Weight	Mass	Inertia		Grease	
$d_0$ mm	$P_h$ mm	Basic load ratings	dynamic static		dynamic	static		Preload torque zero play					kgmm <sup>2</sup>		cm <sup>3</sup>
25	20	22,8	51,5	0,08	12,6	25,8	0,04-0,36	4x1,7	480	3	0,57	3,3	215	3,4	SL/TL 25x20 R
	25	22,3	50,6	0,08	12,3	25,3	0,04-0,36	4x1,7	400	3,6	0,66	3,2	210	3,3	SL/TL 25x25 R
32	20	25,4	65,2	0,08	14	32,6	0,05-0,45	4x1,7	550	3,4	0,7	5,1	530	4,4	SL/TL 32x20 R
	32	26,1	69,3	0,08	14,4	34,7	0,05-0,50	4x1,8	450	4,5	0,7	5,4	600	4,3	SL/TL 32x32 R
	32	26,1	69,3	0,08	14,4	34,7	0,05-0,50	4x1,8	450	4,5	0,7	5,4	600	4,3	SLD/TLD 32x32 R
	40	12,6	29,8	0,08	6,9	14,9	0,05-0,50	4x0,8	515	3	0,65	4,9	490	4,4	SL/TL 32x40 R
40	20	41,3	128,8	0,08	22,8	64,4	0,05-0,55	4x2,7	1 420	6,6	1,2	8,2	1 380	5,5	SL/TL 40x20 R
	40	51,7	130,5	0,1	28,5	65,3	0,05-0,55	4x1,7	3 300	12,5	2,4	8,1	1 330	5,2	SL/TL 40x40 R
50	50	92,9	235,1	0,12	51,2	117,6	0,1-0,9	4x1,7	6 060	19,4	3,3	13,2	3 560	6,4	SL/TL 50x50 R

Dimensional drawing



Screw	Nut												Screw			Support bearings		
$d_0 \times P_n$	$D_1$	$D_4$	Design	$D_5$	$D_6$	L	$L_1$	$L_3$	$L_7$	$L_8$	$L_{10}$	$M_2$	length	$d_2$	$d_1$		Recommended thrust support bearings	Recommended support pillow block
mm	g9 mm	js12 mm	-	H13 mm						h13			max mm			-		
25x20	48	60	1	6x6,6	73	66,8	18	17,6	15	N / A	8	M6	4 700	21,7	24,3		PLBU 25/FLBU 25	BUF 25
25x25	48	60	1	6x6,6	73	78,2	27	18,7	15	N / A	8	M6	4 700	21,5	24,4		PLBU 25/FLBU 25	BUF 25
32x20	56	68	1	6x6,6	80	67,4	18	17,9	15	N / A	8	M6	5 700	27,5	30		PLBU 32/FLBU 32/FLRBU3 <sup>1)</sup>	BUF 32
32x32	56	68	1	6x6,6	80	80,3	41	13	15	N / A	8	M6	5 700	28,4	31,1		PLBU 32/FLBU 32/FLRBU3 <sup>1)</sup>	BUF 32
32x32	50 g6	65	2	6x9	80	80,3	41	13	15	62	8	M6	5 700	28,4	31,1		PLBU 32/FLBU 32/FLRBU3 <sup>1)</sup>	BUF 32
32x40	53 g6	68	1	6x6,6	80	54,8	17	12,2	15	N / A	8	M6	5 700	26,9	29,6		PLBU 32/FLBU 32	BUF 32
40x20	63	78	1	6x9	95	87,3	38	18	15	N / A	8	M6	5 700	35,2	37,7		PLBU 40/FLBU 40	BUF 40
40x40	72	90	1	6x11	110	110,8	44	21,6	25	N / A	10	M8x1	5 700	34,2	38,3		PLBU 40/FLBU 40/FLRBU 4 <sup>1)</sup>	BUF 40
50x50	85	105	1	6x11	125	134	60	25,5	25	N / A	10	M8x1	5 700	43,5	49,1		PLBU 50/FLBU 50/FLRBU 5 <sup>1)</sup>	BUF 50

<sup>1)</sup> For high load application, use FLRBU type. Please refer to roller screws catalogue for end shaft and support bearings definitions

# SLT/TLT rotating nut

Long lead rolled ball screw with rotating nut

## Concept

The main purpose of this solution is to minimize the inertia phenomenon associated with long rotating shafts.

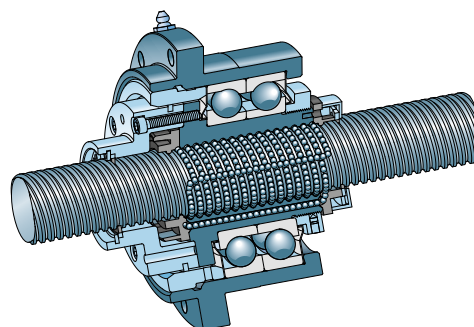
The long lead screw shaft is rigidly fixed to the machine frame. The ball nut, rotating inside a bearing housing and driven via a tension belt, moves along the screw shaft.

The customers are responsible for the sourcing and assembly of the electric motor, belt, pulleys and frame holding the bearing housing.



## Features

- Nominal diameter from 25 to 50 mm
- Lead from 20 to 50 mm
- 72 series angular contact bearings are directly mounted on the nut outer diameter
- Bearings are preloaded in back-to-back arrangement in order to fully support the moment created by the belt tension
- 2 Nilos rings protect the bearings against pollution and permit lubrication for life
- Brush wipers are mounted at each end of the nut in the standard configuration for better protection against contamination
- The ball screw assembly is lubricated through a nipple mounted on the housing external diameter in the standard version
- Standard grease is Ewellix LGMT2. Other lubricants are available on request.



## Technical data

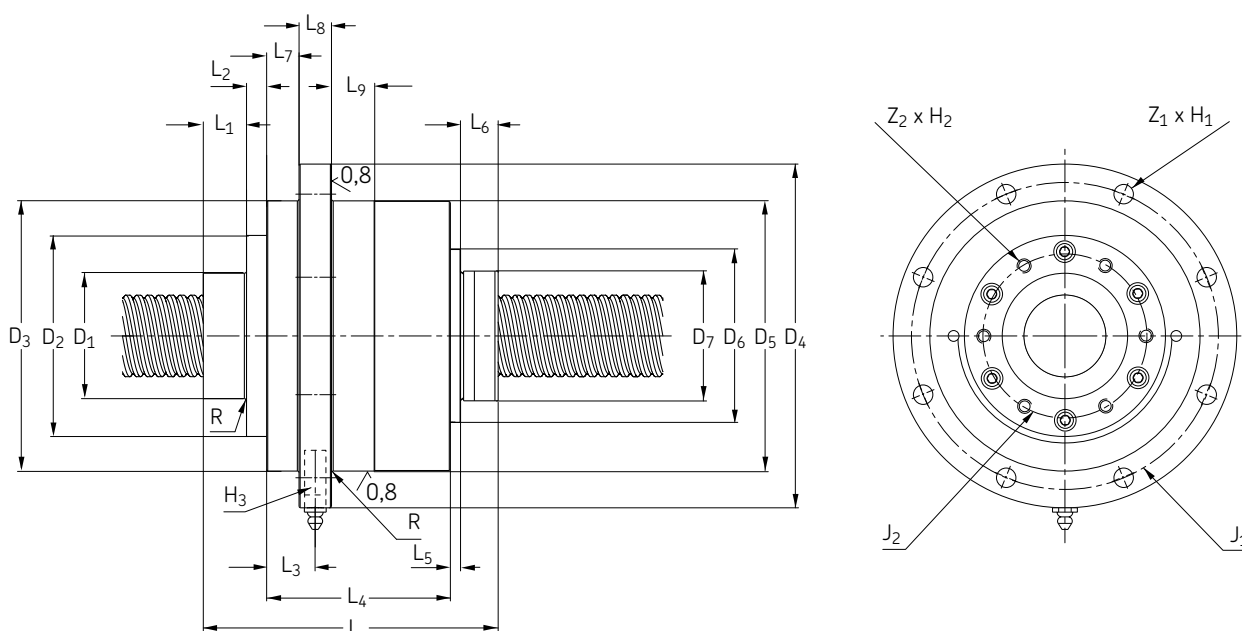
Nominal diameter	Lead (right hand)	Ball screw capacities				Bearing		Rotating nut				Designation
		SL Basic load ratings		TL Basic load ratings		Basic load ratings		Max transmissible torque	Max transmissible axial load	Inertia with pulley support	Mass	
$d_0$ mm	$P_h$ mm	$C_a$ kN	$C_{oa}$	$C_a$	$C_{oa}$	$C_a$ kN	$C_{oa}$	Nm	kN	kgmm <sup>2</sup>	kg	-
25	20	39,2	97,0	21,6	48,5	61,8	56	180	68,3	1 012	4,5	SLT/TLT 25x20 R
	25	33,2	80,4	18,3	40,2	61,8	56	180	68,3	1 023	4,6	SLT/TLT 25x25 R
32	20	49,6	141,8	27,3	70,9	78	76,5	209	107	1 935	7,2	SLT/TLT 32x20 R
	32	32,2	88,6	17,7	44,3	78	76,5	209	87,3	1 919	7,1	SLT/TLT 32x32 R
	40	25,3	67,0	13,9	33,5	78	76,5	209	81,7	1 949	7,1	SLT/TLT 32x40 R
40	20	54,2	176,5	29,8	88,3	93,6	91,5	240	116	3 095	7,5	SLT/TLT 40x20 R
	40	51,7	130,5	28,5	65,3	114	118	246	93,3	3 784	8,4	SLT/TLT 40x40 R
50	50	92,9	235,1	51,2	117,6	156	166	803	162	1 1482	15,5	SLT/TLT 50x50 R

**Benefits**

- High rotational speed up to  $nd_0 = 90\,000$ , resulting in high linear speed up to 110 m/min
- Compact, easy and simple solution to incorporate into application
- Fixed screw shaft for simplified mounting into application
- Inertia is considerably reduced, for example: 3 800 kgmm<sup>2</sup> instead of 6 000 kgmm<sup>2</sup> for a screw shaft 40x40 with 4,5 m stroke
- Lower motor power requirements resulting from lower system inertia
- Backlash elimination (TLT designation).

Screw	Dimension										
	$d_0 \times P_n$ mm	L	L <sub>1</sub>	L <sub>2</sub>	L <sub>3</sub>	L <sub>4</sub>	L <sub>5</sub>	L <sub>6</sub>	L <sub>7</sub>	L <sub>8</sub>	L <sub>9</sub>
<b>25x20</b>	121,2	15	12,4	19,9	74	2,9	16,9	12,4	15	15	
<b>25x25</b>	126,3	15	12,4	19,9	74	2,9	22	12,4	15	15	
<b>32x20</b>	132,9	20	3,8	27,5	89	2,2	17,9	20	15	20	
<b>32x32</b>	126,8	20	3,8	27,5	89	2,2	11,8	20	15	20	
<b>32x40</b>	125,9	20	3,8	27,5	89	2,2	10,9	20	15	20	
<b>40x20</b>	136,7	20	9,3	22,5	85	4,7	17,7	15	15	20	
<b>40x40</b>	159,6	47	8,8	19	83	0	20,8	11,5	15	20	
<b>50x50</b>	163,5	20	15,5	25,4	100	4,5	23,5	15,7	20	25	

**Dimensional drawing**



Screw	Dimension												
$d_0 \times P_n$ mm	D <sub>1</sub> h8	D <sub>2</sub>	D <sub>3</sub>	D <sub>4</sub>	D <sub>5</sub> g6	D <sub>6</sub>	D <sub>7</sub>	R max.	J <sub>1</sub>	J <sub>2</sub>	Z <sub>1</sub> x H <sub>1</sub>	Z <sub>2</sub> x H <sub>2</sub> x useful depth	H <sub>3</sub>
<b>25x20</b>	40	72,5	100	133	100	65	48	0,8	116	55	6xØ9	6xM6x20	<b>M6 1</b>
<b>25x25</b>	40	72,5	100	133	100	65	48	0,8	116	55	6xØ9	6xM6x20	<b>M6x1</b>
<b>32x20</b>	50	82	119,5	150	120	76	56	0,8	135	68	6xØ9	6xM6x20	<b>M6x1</b>
<b>32x32</b>	50	82	119,5	150	120	76	50	0,8	135	68	6xØ9	6xM6x20	<b>M6x1</b>
<b>32x40</b>	50	82	119,5	150	120	76	53	0,8	135	68	6xØ9	6xM6x20	<b>M6x1</b>
<b>40x20</b>	58	93	125	159	125	80	63	0,8	142	75	8xØ9	6xM6x20	<b>M8x1</b>
<b>40x40</b>	60	93	137	168	137	N/A	72	1,6	153	80	8xØ9	6xM6x20	<b>M8x1</b>
<b>50x50</b>	70	120	170	210	170	110	85	1,6	190	106	8xØ11	6xM8x30	<b>M8x1</b>

All tolerances js13 if not specified.

# Shaft end combinations

- In the ordering code, shaft ends machining is defined by:
  - One letter for nominal diameter
  - $d_0 < 16 \text{ mm}$
  - Two letters for nominal diameter
  - $d_0 \geq 16 \text{ mm}$ ,
 detailing the combination of two machined ends  
**(Ordering key  $\rightarrow$  page 60)**
- Machined ends are detailed for nominal diameter  $< 16 \text{ mm}$   
**( $\rightarrow$  page 45)**
- Machined ends are detailed for nominal diameter  $\geq 16 \text{ mm}$   
**( $\rightarrow$  page 46).**

Diameter $< 16 \text{ mm}$		Diameter $\geq 16 \text{ mm}$	
Order code	Two machined ends	Order code	Two machined ends
A (without length indication)	cut only	AA (without length indication)	cut only
A (+ length)	cut + annealed		
B	1 + 2	BA	1A + 2A
F <sup>1)</sup>	2 + 2	FA <sup>1)</sup>	2A + 2A
G <sup>1)</sup>	2 + 3	GA <sup>1)</sup>	2A + 3A
H	2 + 4	HA	2A + 4A
J	2 + 5	JA	2A + 5A
M	3 + 5	MA	3A + 5A
S' (+ length)	end machined to root diameter $d_2$ , any length	SA' (+ length)	end machined to root diameter $d_2$ , any length
		UA* (+ length)	diameter $d_3$ under induction hardening, any length
K	keyway	K	keyway
Z	end machined according to customer drawing on request	Z	end machined according to customer drawing on request

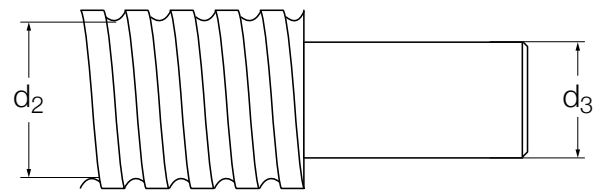
<sup>1)</sup>Attention! This mounting requires the greatest care. Please contact Ewellix.

## S, SA and UA end machining types

\*) S and SA: end is machined to thread root diameter  $d_2$ . It is available for all screw shaft nominal diameters ( $\rightarrow$  fig. 10)

\*) UA: end is machined to diameter  $d_3$  under induction hardened layer. Any length can be used. UA end machining is available for ball screws with nominal diameter  $d_0$  starting from 16 mm ( $\rightarrow$  fig. 10).

Fig. 10

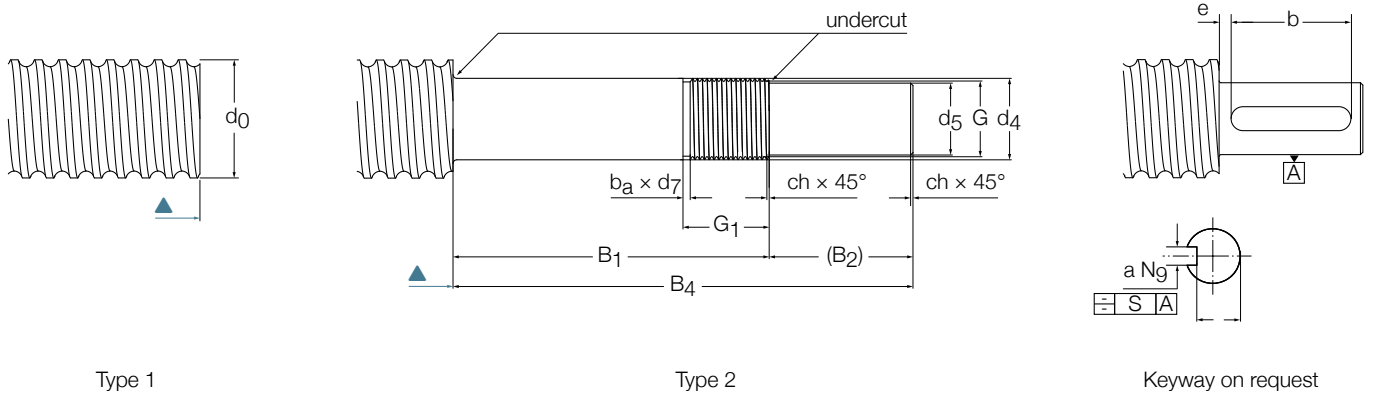


Dimensions	$d_2$	$d_3$
mm		
6x2	4,7	
8x2,5	6,3	
10x2	8,3	
10x3	7,8	
10x4	7,4	
12x2	9,9	
12x4	9,4	
12x5	9,3	
12,7x12,7	10,2	
14x4	11,9	
16x2	14,3	12
16x5	12,7	9
16x10	12,6	9
20x5	16,7	14
25x5	21,7	19
25x10	20,5	18
25x20	21,7	19
25x25	21,5	18
32x5	28,7	26
32x10	27,8	25
32x20	27,4	24
32x32	28,4	26
32x40	26,9	24
40x5	36,7	34
40x10	34,0	31
40x20	35,1	32
40x40	34,2	31
50x10	44,0	41
50x50	43,4	40
63x10	57,0	54

# Standard machine ends

Standard end machining for nominal diameter < 16 mm

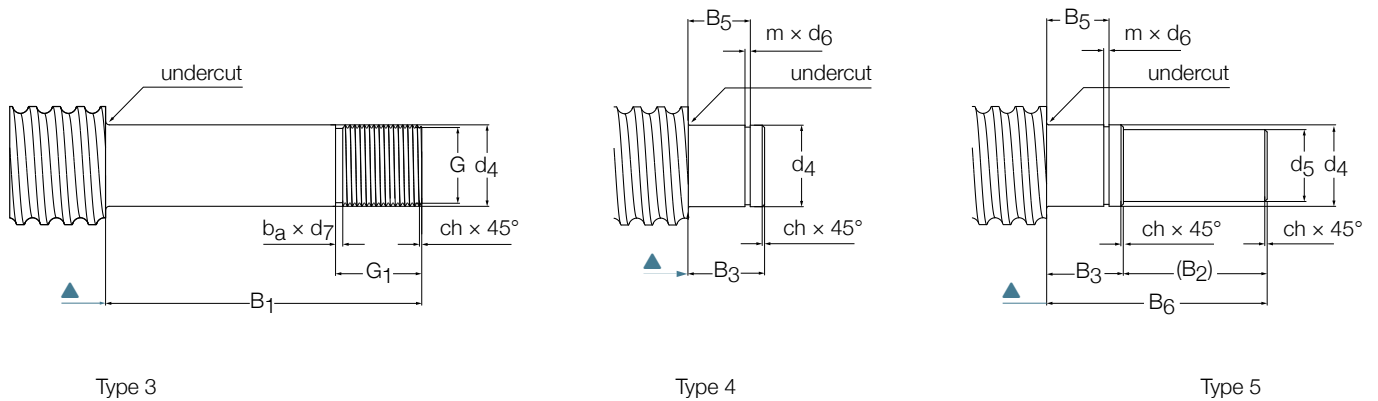
For SD/BD/SH-SDS/BDS/SHS



Type 1

Type 2

Keyway on request



Type 3

Type 4

Type 5

Size																					
$d_0$	$d_5$	$d_4^{1)}$	$B_1$	$B_2$	$B_3$	$B_4$	$B_5$	$B_6$	G	$G_1$	m	$d_6$	ch	$b_a$	$d_7$	a	b	e	j	S	Keyway DIN 6885
	h7	js7	js12		js12	js12	H11	js12	6g		+0,14 0	h11/ h12			h11	N9	+0,5 0				
mm																					
6	3	4	22	10	7	32	5,4	17	M4x0,7	7	0,5	3,8	0,5	1,2	2,9	-	-	-	-	-	-
8	4	5	24	12	7	36	5,6	19	M5x0,8	7,2	0,7	4,8	0,5	1,2	3,7	-	-	-	-	-	-
10	5	6	26	12	9	38	6,7	21	M6x1	7,5	0,8	5,7	0,5	1,5	4,5	-	-	-	-	-	-
12/12,7	6	8	38	12	10	50	7,8	22	M8x1	12,5	0,9	7,6	0,5	1,5	6,5	2	8	3	4,8	0,1	A2x2x8
14	8	10	40	16	12	56	9	28	M10x1,5	13,3	1,1	9,6	0,5	2,3	7,8	2	10	3	6,8	0,1	A2x2x10

▲ End of threaded screw length

<sup>1)</sup> For applications with radial loads on support bearings, please consult Ewellix for best selection of tolerance on diameter  $d_4$

Standard end machining for shaft nominal diameter  $\geq 16$  mm

**For SD/BD-SDS/BDS-SX/BX-SND/BND/PND-SN/BN/PN**

Standard shaft ends for ball screws with nominal diameter  $d_0 \geq 16$  mm have been developed to fit with the Ewellix support bearings FLBU, PLBU and BUF.

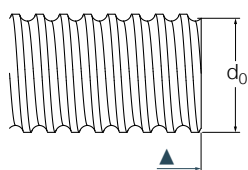
Support bearing Machined end type

FLBU 2A or 3A

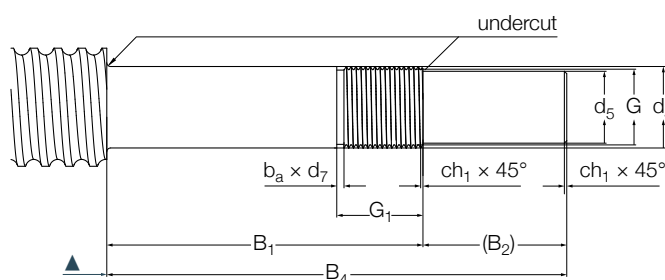
PLBU 2A or 3A

BUF 4A or 5A

For these types of machined ends, the maximum permissible dynamic load is 75% of the ball screw dynamic load carrying capacity.



Type 1A



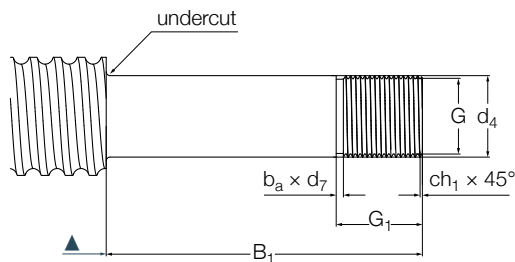
Type 2A

**Technical data**

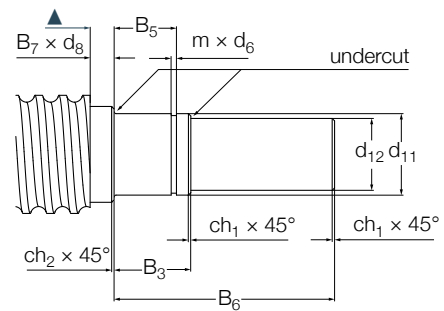
Size												
$d_0$ – mm	$d_5$ h7	$d_4^{1)}$ h6	$d_{11}$ h6	$d_{12}$ h7	$B_1$ js12	$B_2$	$B_3$ js12	$B_4$ js12	$B_5$ H11	$B_6$ js12	$B_7$	$d_8$
16	8	10	10	8	53	16	13	69	10	29	2	12,5
20	10	12	10	8	58	17	13	75	10	29	2	14,5
25 <sup>1)</sup>	15	17	17	15	66	30	16	96	13	46	4,5	20
32 <sup>1)</sup>	17	20	17	15	69	30	16	99	13	46	4,5	28,7
40 <sup>1)</sup>	25	30	30	25	76	45	22	121	17,5	67	4,5	33,5
50 <sup>1)</sup>	30	35	30	25	84	55	22	139	17,5	67	4,5	35,2
63	40	50	45	40	114	65	28	179	20,75	93	3	54

<sup>1)</sup> For applications with radial loads on support bearings, please consult Ewellix for best selection of tolerance on diameter  $d_4$

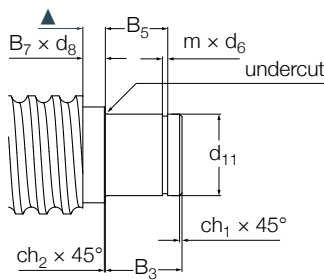
Dimensional drawing



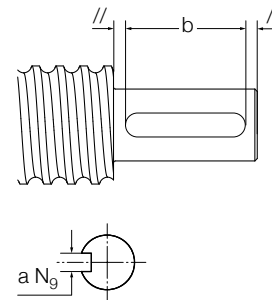
Type 3A



Type 5A



Type 4A



Keyway on request

Size										Keyway to DIN 6885	
$d_0$	G	$G_1$	m	$d_6$	$h_{12}$	$ch_1$	$ch_2$	$b_a$	$d_7$	$a^{N_9} \times l \times b$	
mm	6g		+0,14 0	h11	h12				h11	fixed end (type 2A)	fixed end (type 5A)
16	M10×0,75	17	1,1	9,6		0,5	0,5	1,2	8,8	A2×2×12	A2×2×12
20	M12×1	18	1,1	9,6		0,5	0,5	1,5	10,5	A3×3×12	A2×2×12
25	M17×1	22	1,1	16,2		0,5	0,5	1,5	15,5	A5×5×25	A5×5×25
32	M20×1	22	1,1	16,2		0,5	0,5	1,5	18,5	A5×5×25	A5×5×25
40	M30×1,5	25	1,6		28,6	1	0,5	2,3	27,8	A8×7×40	A8×7×40
50	M35×1,5	27	1,6		28,6	1	0,5	2,3	32,8	A8×7×45	A8×7×40
63	M50×1,5	32	1,85		42,5	1,5	1	2,3	47,8	A12×8×50	A12×8×50

▲ End of threaded screw length

# Standard end machining for SL/TL only

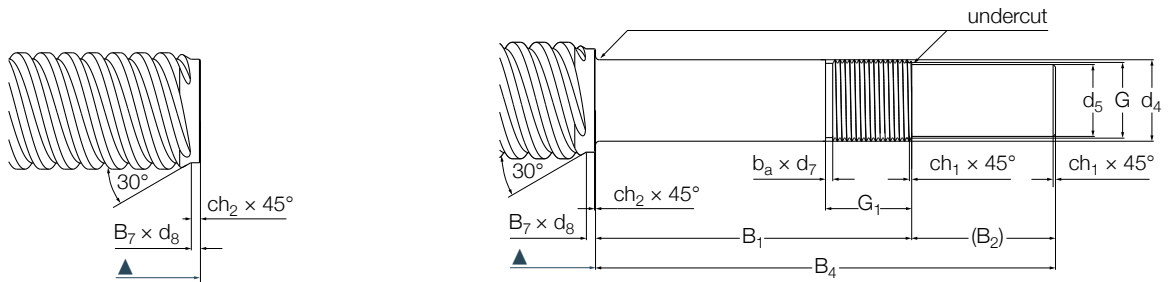
Standard shaft ends for SL/TL ball screws have been developed to fit with the Ewellix support bearings FLBU, PLBU and BUF.

For the SL/TL long lead screw, an additional centering diameter, part of the threaded length, will be machined at both ends of the screw shaft to facilitate the nut assembly.

### Support bearing Machined end type

FLBU	2A or 3A
PLBU	2A or 3A
BUF	4A or 5A

For these types of machined ends, the maximum permissible dynamic load is 75% of the ball screw dynamic load carrying capacity, except for size 50x50 for which the dynamic load must not exceed 40 kN.



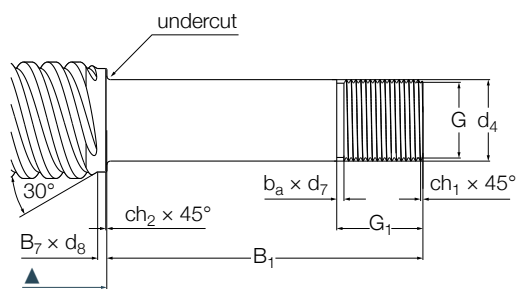
## Technical data

Type 2A

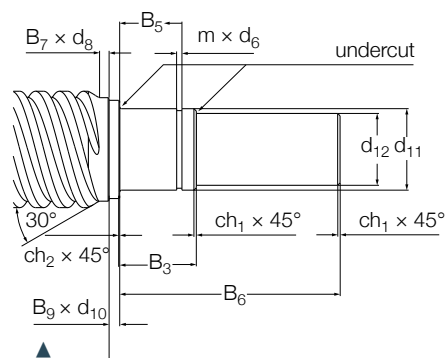
Size														
$d_0$	$d_5$	$d_4^{1)}$	$d_{10}$	$d_{11}$	$d_{12}$	$B_1$	$B_2$	$B_3$	$B_4$	$B_5$	$B_6$	$B_7$	$B_9$	$d_8$
-	h7	h6		h6	h7	js12		js12	js12	H11	js12			
mm														
25x20	15	17	-	17	15	66	30	16	96	13	46	4,5	0	21,6
25x25	15	17	-	17	15	66	30	16	96	13	46	4,5	0	21,4
32x20	17	20	21,5	17	15	69	30	16	99	13	46	4,5	2	27,3
32x32	17	20	21,5	17	15	69	30	16	99	13	46	4,5	2	28,3
32x40	17	20	21,5	17	15	69	30	16	99	13	46	4,5	2	26,8
40x20	25	30	-	30	25	76	45	22	121	17,5	67	6,5	0	35,1
40x40	25	30	-	30	25	76	45	22	121	17,5	67	6,5	0	34,1
50x50	30	35	37	30	25	84	55	22	139	17,5	67	9	3	43,3

<sup>1)</sup> For applications with radial loads on support bearings, please consult Ewellix for best selection of tolerance on diameter  $d_4$

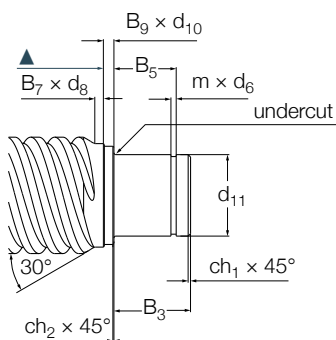
Dimensional drawing



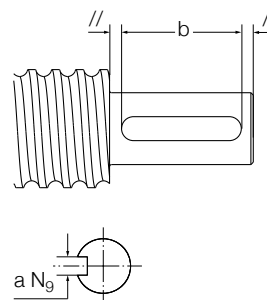
Type 3A



Type 5A



Type 4A



Keyway on request

Size										Keyway to DIN 6885	
$d_0$	G	$G_1$	m	$d_6$	$h_{12}$	$ch_1$	$ch_2$	$b_a$	$d_7$	$a^{N9} \times l \times b$	
mm	6g		+0,14 0	h11	h12				h11	fixed end (type 2A)	fixed end (type 5A)
25x20	M17x1	22	1,1	16,2	-	0,5	0,5	1,5	15,5	A5x5x25	A5x5x25
25x25	M17x1	22	1,1	16,2	-	0,5	0,5	1,5	15,5	A5x5x25	A5x5x25
32x20	M20x1	22	1,1	16,2	-	0,5	0,5	1,5	18,5	A5x5x25	A5x5x25
32x32	M20x1	22	1,1	16,2	-	0,5	0,5	1,5	18,5	A5x5x25	A5x5x25
32x40	M20x1	22	1,1	16,2	-	0,5	0,5	1,5	18,5	A5x5x25	A5x5x25
40x20	M30x1,5	25	1,6	-	28,6	1	0,5	2,3	27,8	A8x7x40	A8x7x40
40x40	M30x1,5	25	1,6	-	28,6	1	0,5	2,3	27,8	A8x7x40	A8x7x40
50x50	M35x1,5	27	1,6	-	28,6	1	0,5	2,3	32,8	A8x7x45	A8x7x40

▲ End of threaded screw length

# FLBU ball screw support bearings

Axially locating flanged housings fitted with SKF angular contact ball bearings

## Features

- Precision machined housing made of burnished steel
- Two SKF preloaded angular contact ball bearings, 72 or 73 series, in back-to-back arrangement
- Two garter seals
- Standard self-locking Nylstop nut or high precision KMT nut upon request.

## Benefits

- Complete support bearing ready to use, simplified application design, easy ordering process
- Quick assembly onto shaft end
- Elimination of most technical risks with bearings and seals assembly
- Support bearing dimensions and load carrying capacity matched to the ball screw characteristics
- Bearings back-to-back assembly with preload for stiff and accurate ball screw positioning
- Greased for life / maintenance-free.



## Technical data

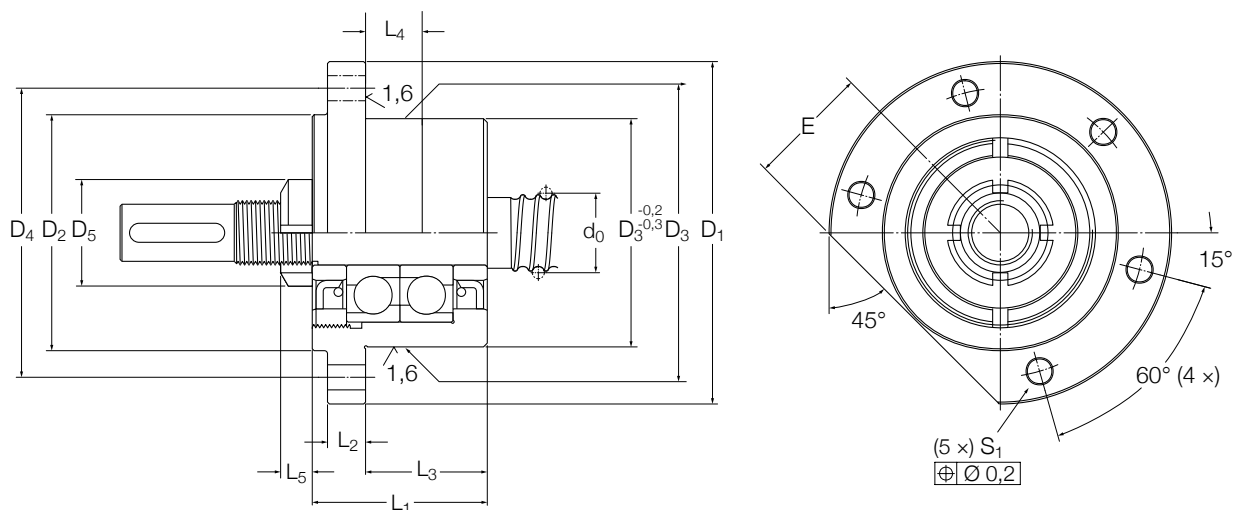
Nominal diameter	Angular contact ball bearing (40°)				Lock nut				Tightening torque	Grub screws size	screws tightening torque max.	Flanged support bearing designation
	Basic load rating (axial) dynamic	static	Axial stiffness	SKF bearing designation	Self-locking nut Designation	Hook spanner	High precision nut <sup>3)</sup> Designation	Hook spanner				
d <sub>0</sub> mm	C <sub>a</sub> kN	C <sub>0a</sub>	N/μm	-	-	-	-	-	Nm	-	Nm	-
16	12,2	12,8	play	7200 BECB <sup>1)</sup>	CN 70-10	HN 1	KMT 0	HN 2/3	4	M5	4,5	FLBU 16
20	13,3	14,7	125	7201 BEGA <sup>2)</sup>	CN 70-12	HN 1	KMT 1	HN 3	8	M5	4,5	FLBU 20
25	27,9	31,9	150	7303 BEGA <sup>2)</sup>	CN 70-17	HN3	KMT 3	HN 4	15	M6	8	FLBU 25
32	24,6	31,9	176	7204 BEGA <sup>2)</sup>	CN 70-20	HN 4	KMT 4	HN 5	18	M6	8	FLBU 32
40	41,9	59,6	222	7206 BEGA <sup>2)</sup>	CN 70-30	HN 6	KMT 6	HN 6	32	M6	8	FLBU 40
50	54,5	79,8	250	7207 BEGA <sup>2)</sup>	CN 70-35	HN 7	KMT 7	HN 7	40	M6	8	FLBU 50
63	128	196,1	353	7310 BEGA <sup>2)</sup>	CN 70-50	HN 10	KMT 10	HN 10/11	60	M8	18	FLBU 63

<sup>1)</sup> No backlash elimination

<sup>2)</sup> Light preload

<sup>3)</sup> Optional

Dimensional drawing



3

Screw	Support bearing		Self-locking nut				High precision nut <sup>4)</sup>			Fixing screws					
			L <sub>1</sub>	L <sub>2</sub>	L <sub>3</sub>	L <sub>4</sub>	L <sub>5</sub>	D <sub>5</sub>	D <sub>1</sub>	D <sub>2</sub>	D <sub>3</sub> h7	D <sub>4</sub>	S <sub>1</sub> H13	E	
d <sub>0</sub>	mm														
16	37	10	22	12	7	18	14	28	76	50	47	63	6,6	26	M6×30
20	42	10	25	12	7,5	21	14	30	76	50	47	63	6,6	27	M6×30
25	46	10	32	18	8,3	28	18	37	90	62	60	76	6,6	32	M6×30
32	49	13	32	18	8,3	32	18	40	90	59	60	74	9	32	M8×40
40	53	16	32	18	11	44	20	49	120	80	80	100	11	44	M10×45
50	59	20	32	18	11	50	22	54	130	89	90	110	13	49	M12×60
63	85	25	43,5	22	11,7	68	25	75	165	124	124	146	13	64	M12×60

<sup>4)</sup>Optional

# PLBU ball screw support bearings

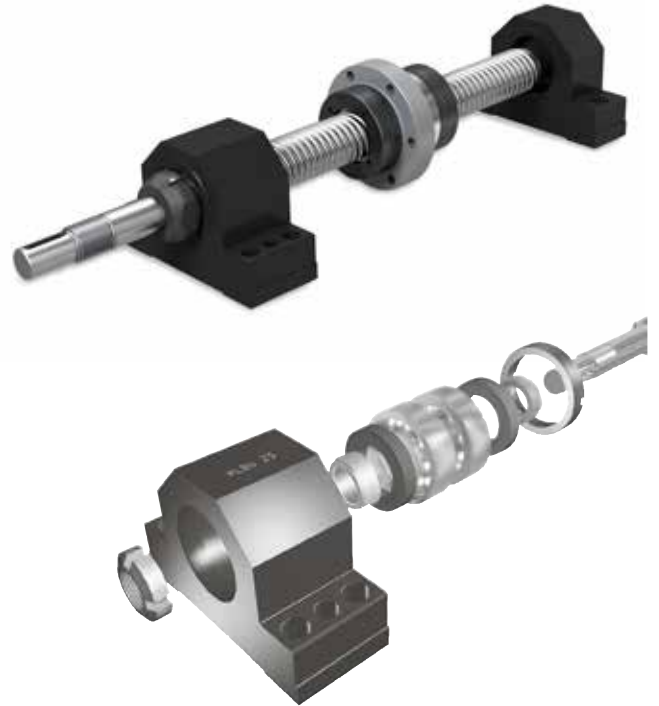
Fixed pillow blocks fitted with SKF angular contact ball bearings

## Features

- Precision machined housing made of burnished steel
- Precision machined side faces of the housing can be used as reference assembly surfaces for screw alignment
- Two SKF preloaded angular contact ball bearings, 72 or 73 series, in back-to-back arrangement
- Two garter seals
- Standard self-locking Nylstop nut or high precision KMT nut upon request.

## Benefits

- Complete support bearing ready to use, simplified application design, easy ordering process
- Quick assembly onto shaft end
- Elimination of most technical risks with bearings and seals assembly
- Support bearing dimensions and load carrying capacity matched to the ball screw characteristics
- Bearings back-to-back assembly with preload for stiff and accurate ball screw positioning
- Good rigidity provided by the base mounting with dowel pins
- Greased for life / maintenance-free.



## Technical data

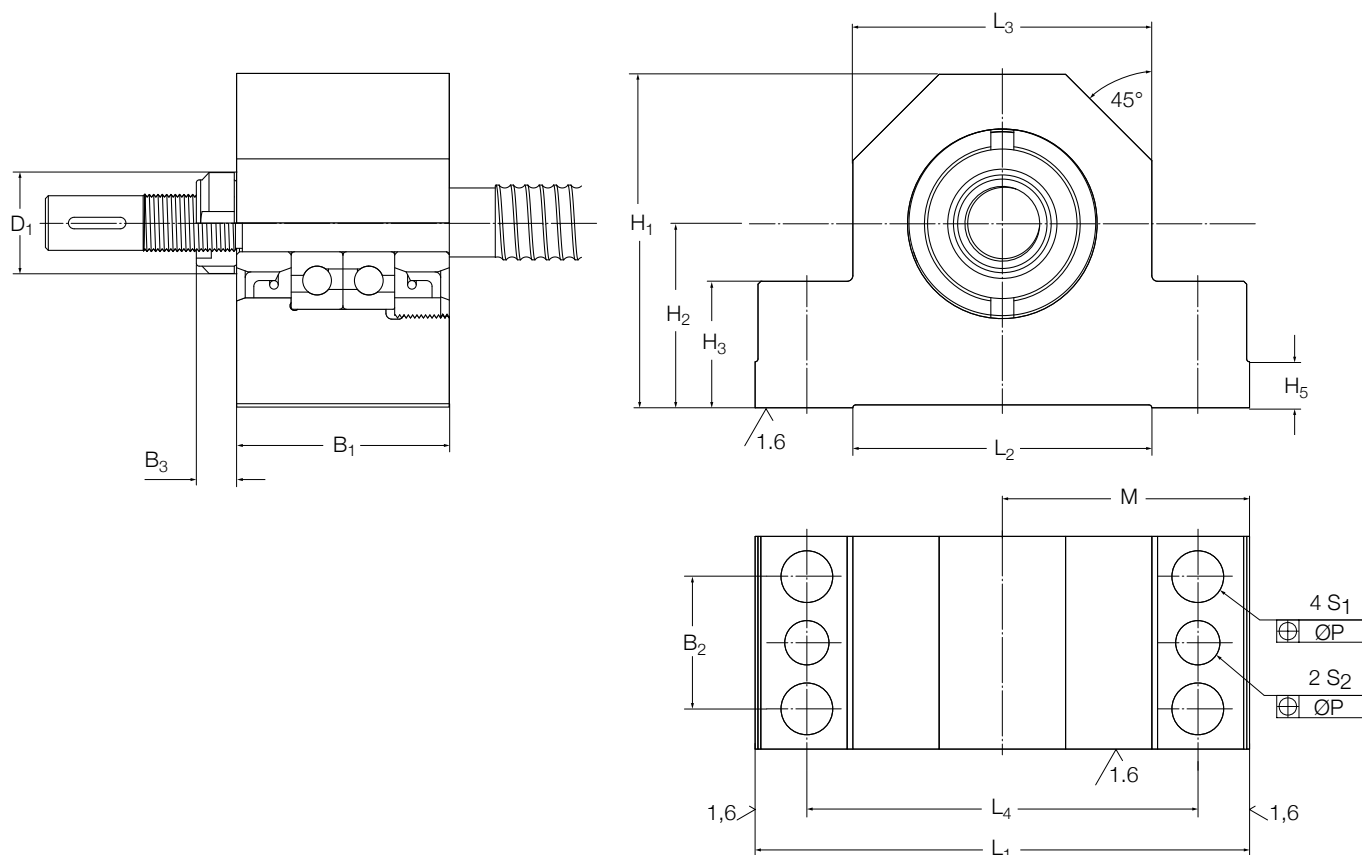
Nominal diameter	Angular contact ball bearing (40°)				Lock nut							Pillow block designation
	Basic load rating (axial) dynamic	static	Axial stiffness	SKF bearing designation	Self-locking nut Designation	Hook spanner	High precision nut <sup>3)</sup> Designation	Hook spanner	Tightening torque	Grub screws size	tightening torque max.	
d <sub>0</sub> mm	C <sub>a</sub> kN	C <sub>oa</sub>	N/μm	-	-	-	-	Nm	-	Nm	-	
16	12,2	12,8	play	7200 BECB <sup>1)</sup>	CN 70-10	HN 1	KMT 0	HN 2/3	4	M5	4,5	PLBU 16
20	13,3	14,7	125	7201 BEGA <sup>2)</sup>	CN 70-12	HN 1	KMT 1	HN 3	8	M5	4,5	PLBU 20
25	27,9	31,9	150	7303 BEGA <sup>2)</sup>	CN 70-17	HN3	KMT 3	HN 4	15	M6	8	PLBU 25
32	24,6	31,9	176	7204 BEGA <sup>2)</sup>	CN 70-20	HN 4	KMT 4	HN 5	18	M6	8	PLBU 32
40	41,9	59,6	222	7206 BEGA <sup>2)</sup>	CN 70-30	HN 6	KMT 6	HN 6	32	M6	8	PLBU 40
50	54,5	79,8	250	7207 BEGA <sup>2)</sup>	CN 70-35	HN 7	KMT 7	HN 7	40	M6	8	PLBU 50
63	128	196,1	353	7310 BEGA <sup>2)</sup>	CN 70-50	HN 10	KMT 10	HN 10/11	60	M8	18	PLBU 63

<sup>1)</sup> No backlash elimination

<sup>2)</sup> Light preload

<sup>3)</sup> Optional

Dimensional drawing



Screw		Support bearing																	Fixing screws	Tapered pin (hardened) or straight pin (DIN6325)	
$d_0$	$L_1$	$L_2$	$L_3$	$L_4$	M	$B_1$	$B_2$	Self-locking nut $B_3$	High precision nut <sup>4)</sup> $D_1$	$B_3$	$D_1$	$H_1$	$H_2$	$H_3$	$H_4$	$H_5$	$S_1$	P			$S_2$
mm	mm				js8								js8							H12	-
16	86	52	52	68	43	37	23	7,0	18	14	28	58	32	22	15	8	9	0,15	7,7	M8x35	8x40
20	94	52	60	77	47	42	25	7,5	21	14	30	64	34	22	17	8	9	0,15	7,7	M8x35	8x40
25	108	65	66	88	54	46	29	8,3	28	18	37	72	39	27	19	10	11	0,20	9,7	M10x40	10x50
32	112	65	70	92	56	49	29	8,3	32	18	40	77	45	27	20	10	11	0,20	9,7	M10x40	10x50
40	126	82	80	105	63	53	32	11,0	44	20	49	98	58	32	23	12	13	0,20	9,7	M12x50	10x50
50	144	80	92	118	72	59	35	11,0	50	22	54	112	65	38	25	12	13	0,20	9,7	M12x55	10x55
63	190	110	130	160	95	85	40	11,7	68	25	75	130	65	49	35	15	13	0,20	9,7	M12x65	10x65

<sup>4)</sup>Optional

# BUF ball screw support bearings

Axially free pillow blocks fitted with SKF deep groove ball bearing

## Features

- Precision machined housing made of burnished steel
- Precision machined side faces of the housing can be used as reference assembly surfaces for screw alignment
- One SKF deep groove ball bearing of type 62...2RS1
- Bearing is sealed and greased for life
- Retaining ring is supplied with the BUF assembly.

## Benefits

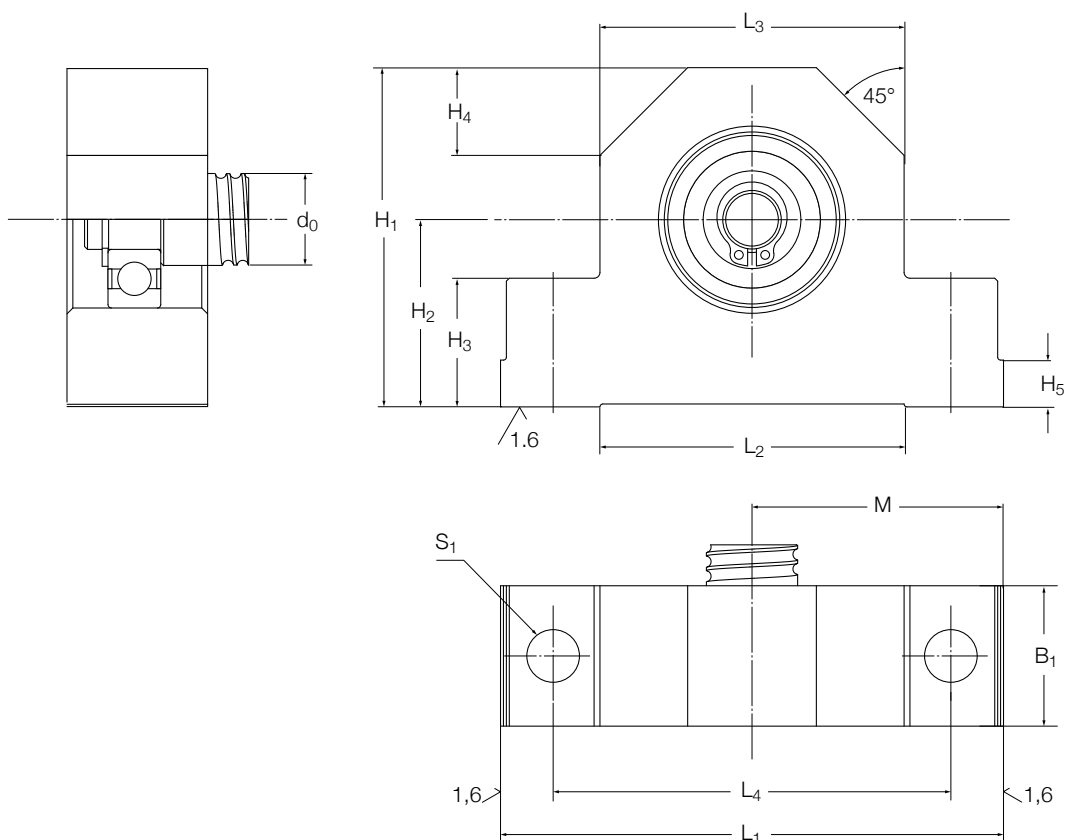
- Complete support bearing ready to use, simplified application design, easy ordering process
- Quick assembly onto shaft end
- Elimination of most technical risks with bearings and seals assembly
- Greased for life / maintenance-free.



## Technical data

Nominal diameter	Deep groove ball bearing			Dimensions			Retaining ring (DIN 471)	Pillow block designation
	Basic load rating radial	SKF bearing designation		d	D	B		
$d_0$ mm	C kN	$C_0$ kN	–	mm	mm	mm	–	–
16	5,07	2,36	6200.2RS1	10	30	9	10×1	BUF 16
20	5,07	2,36	6200.2RS1	10	30	9	10×1	BUF 20
25	9,56	4,75	6203.2RS1	17	40	12	17×1	BUF 25
32	9,56	4,75	6203.2RS1	17	40	12	17×1	BUF 32
40	19,5	11,2	6206.2RS1	30	62	16	30×1,5	BUF 40
50	19,5	11,2	6206.2RS1	30	62	16	30×1,5	BUF 50
63	33,2	21,6	6209.2RS1	45	85	19	45×1,75	BUF 63

Dimensional drawing



Screw		Support bearing											Fixing screws	
$d_0$	$L_1$	$L_2$	$L_3$	$L_4$	M js8	$B_1$	$H_1$	$H_2$ js8	$H_3$	$H_4$	$H_5$	$S_1$ H12		
mm														-
16	86	52	52	68	43	24	58	32	22	15	8	9	M8x35	
20	94	52	60	77	47	26	64	34	22	17	8	9	M8x35	
25	108	65	66	88	54	28	72	39	27	19	10	11	M10x40	
32	112	65	70	92	56	34	77	45	27	20	10	11	M10x40	
40	126	82	80	105	63	38	98	58	32	23	12	13	M12x50	
50	144	80	92	118	72	39	112	65	38	25	12	13	M12x55	
63	190	110	130	160	95	38	130	65	49	35	15	13	M12x65	

## Examples of customized nuts



*SD rotating nut with flange and bearing journals*



*SDS nut with integrated trunnions*



*SN rotating nut with flange and bearing journals*

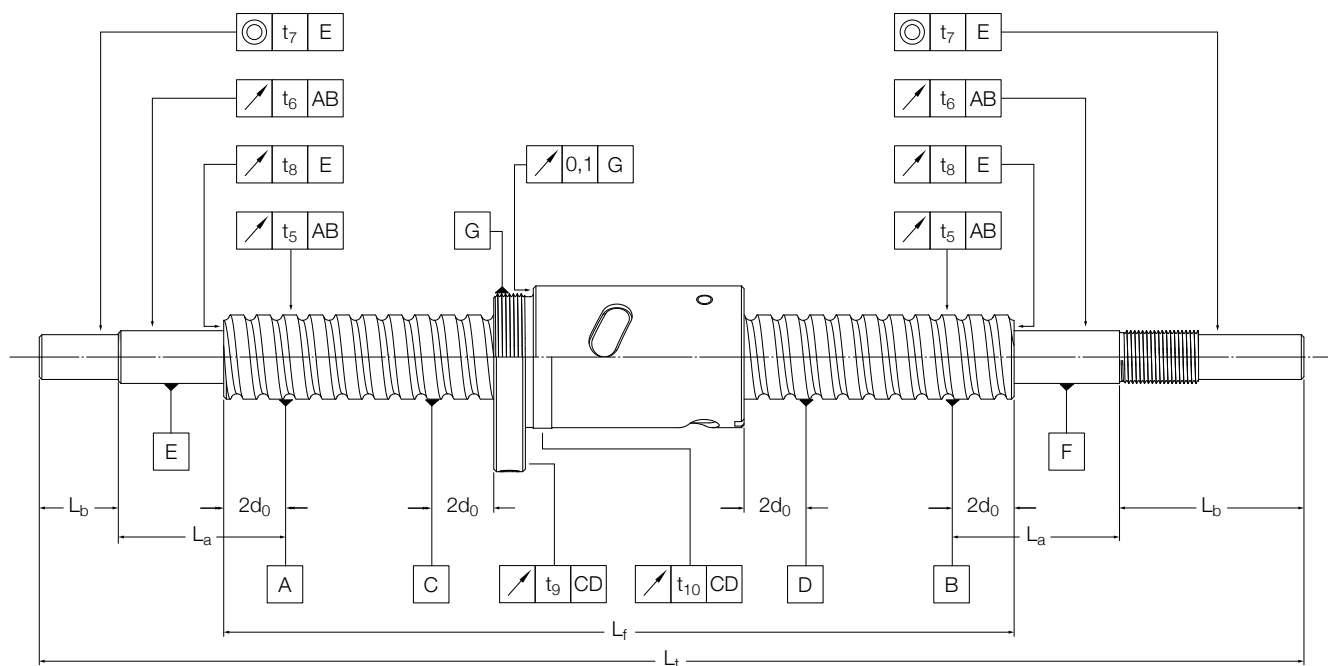


*PN nut with customized compact flange*



*SL nut with customized flange attachment*

# Manufacturing tolerances



Nominal diameter	Reference lengths	Tolerances							
		$L_{a,ref}$ $L_{b,ref}$	$t_{5p}$	$t_{6p}$	$t_{7p}$	$t_8$	$t_9$	$t_{10}$	
$d_0 \leq 6$ mm	80	80	40	40	12	6			
12	160	80	40	40	12	6	20	20	
16	160	80	40	40	12	6	20	25	
20	160	125	40	50	16	6	20	25	
25	315	125	40	50	16	6	25	25	
40	315	125	40	50	16	6	25	32	
50	630	200	40	63	20	6	25	32	

Ratio	Tolerances	
	$L_f/d_0$	$t_5$
$L_f/d_0 > -$	$\leq 40$	80
40	60	120
60	80	200
80	100	320

Value for  $t_5$   
 if  $L_f \leq L_{f,ref}$   $t_5 = t_{5p}$   
 if  $L_f > L_{f,ref}$   $t_5$

Value for  $t_6$   
 if  $L_a \leq L_{a,ref}$   $t_6 = t_{6p}$   
 if  $L_a > L_{a,ref}$   $t_6 = (L_a/L_{a,ref}) t_{6p}$

Value for  $t_7$   
 if  $L_b \leq L_{b,ref}$   $t_7 = t_{7p}$   
 if  $L_b > L_{b,ref}$   $t_7 = (L_b/L_{b,ref}) t_{7p}$

# Ordering key

Servo motor

**SN** **32x5** **R** **330/445** **G7** **L** **-** **HA + K** **\*\*/\*\*** **WPR**

**Nut type**

- SD = Miniature screw, axial play, recirculation by inserts
- BD = Miniature screw, backlash elimination, recirculation by inserts
- SH = Miniature screw, axial play, recirculation by integrated tube
- SDS = Miniature screw, axial play, stainless steel
- BDS = Miniature screw, backlash elimination, stainless steel
- SHS = Miniature screw, axial play, stainless steel, recirculation by integrated tube
- SP = High performance miniature screw, axial play
- BP = High performance miniature screw, backlash elimination
- SX = Universal screw, axial play
- BX = Universal screw, backlash elimination
- SND = Precision screw, axial play, DIN nut
- BND = Precision screw, backlash elimination, DIN nut
- PND = Precision screw, preloaded, DIN nut
- SN = Precision screw, axial play, cylindrical flange
- BN = Precision screw, backlash elimination, cylindrical flange
- PN = Precision screw, preloaded, cylindrical flange
- SL = Long lead screw, axial play
- TL = Long lead screw, backlash elimination
- SLD = Long lead screw, axial play, DIN nut
- TLD = Long lead screw, backlash elimination, DIN nut
- SLT = Rotating nut, axial play
- TLT = Rotating nut, backlash elimination

**Nominal diameter ∅ Lead [mm]**

**Hand**

- R = Right
- L = Left (on request)

**Threaded length / Total length [mm]**

**Lead precision G5, G7, G9**

**Nut orientation**

- Nut threaded nose or nut flange towards shorter machined end of shaft (S)
- Nut threaded nose or nut flange towards longer machined end of shaft (L)
- In case of identical machining at both shaft ends (-)

**Machined end combination**

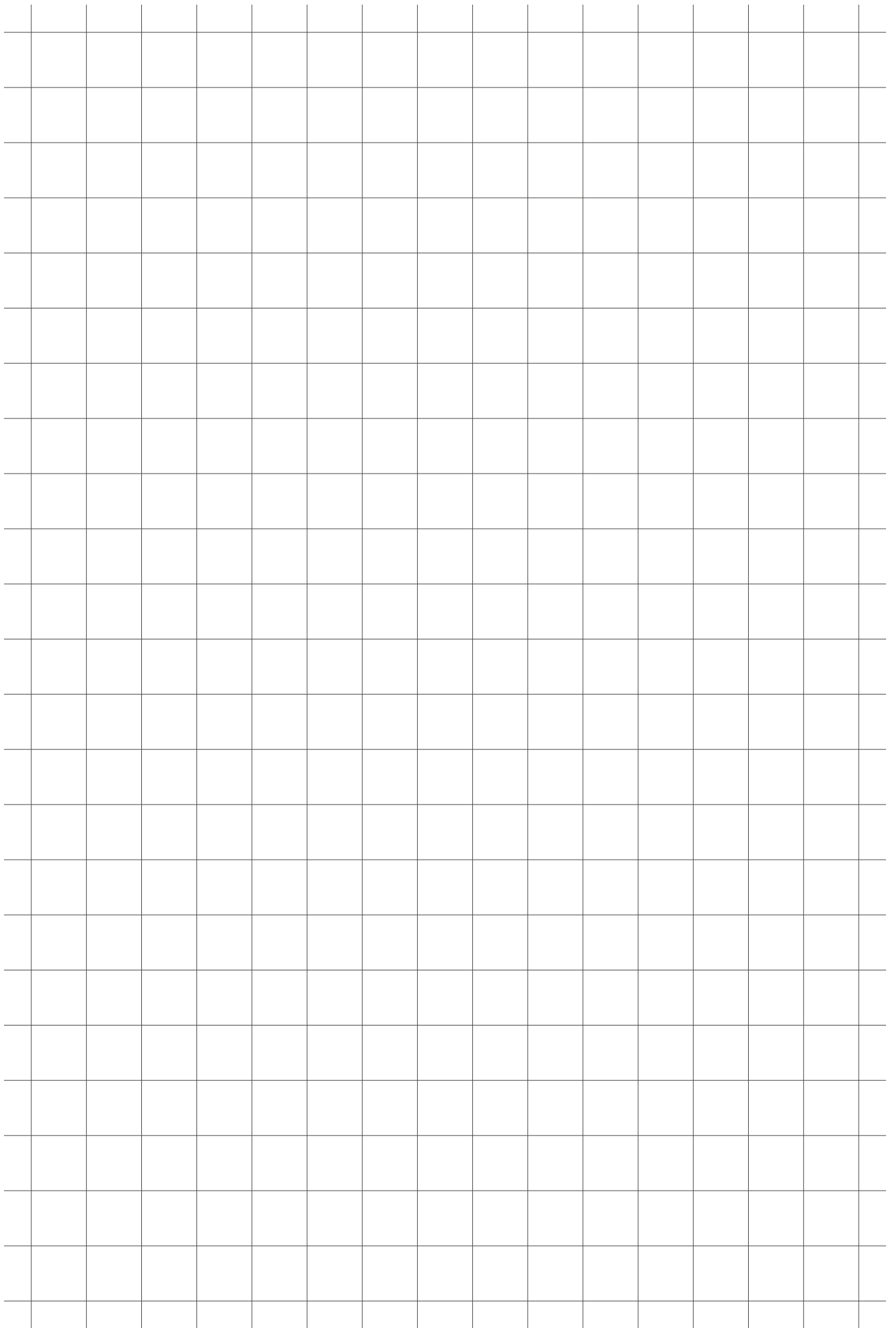
See page 44

**Required lengths for AA, SA, UA (both ends)**

See page 44

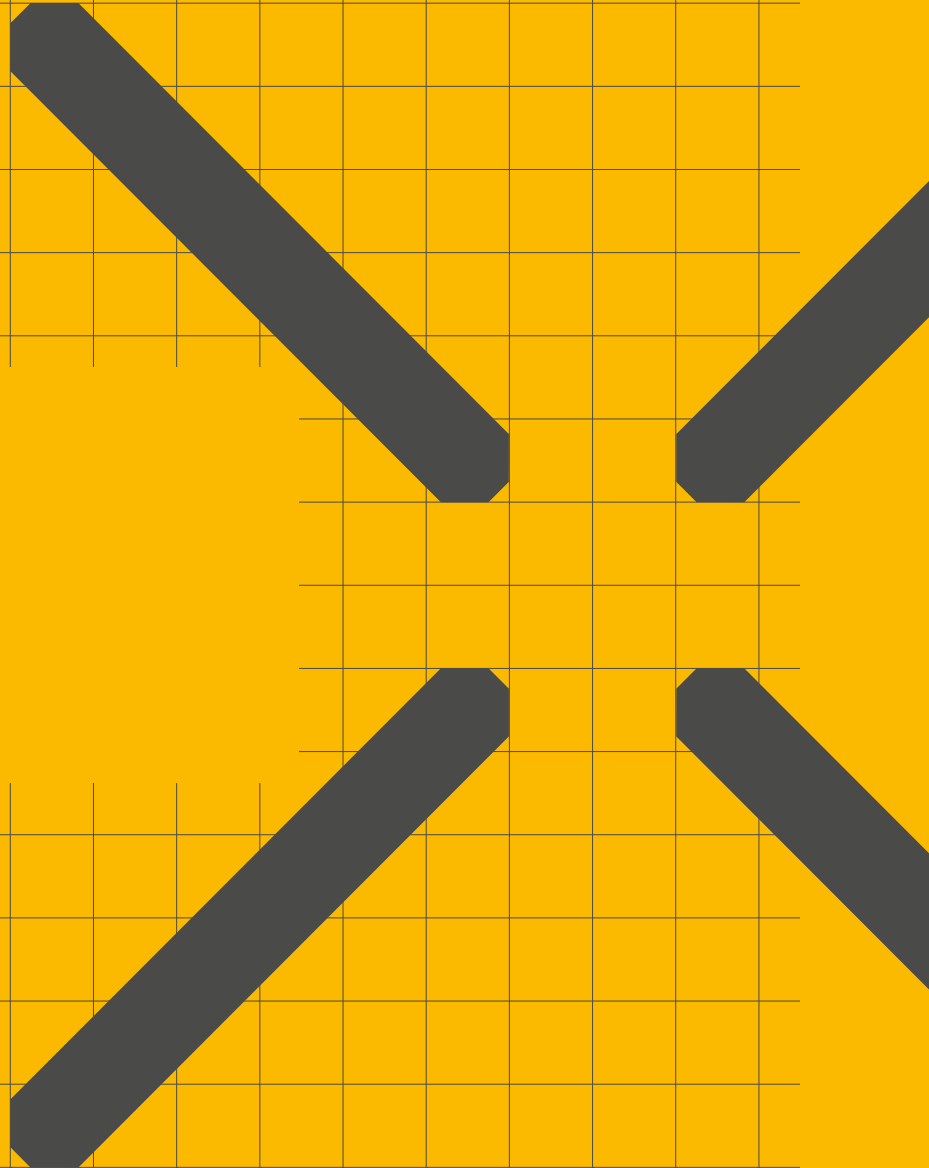
**Options**

- WPR = with wipers
- NOWPR = without wipers
- RING = safety ring (for miniature ball screws only)
- REDPLAY = reduced axial play



4

**Mounting  
instructions  
and support**



# Assembly procedure

Ball screw assemblies are precision components and should be handled with care to avoid damaging shocks, contamination or corrosion.

## Storage

Storage location must ensure that ball screw assemblies are not exposed to contamination, shocks, humidity and other detrimental actions.

When stored out of the shipping crate, ball screw assemblies must lie on wooden or plastic V-shaped blocks and should not be allowed to bounce. The assembly must not be supported on the shelf by the nut body.

During shipping, ball screw assemblies are wrapped in heavy gauge plastic bags, which protect them from foreign material and possible contamination. They should remain wrapped until they are used.

## Alignment

After assembly, any radial load or moment loading on the nut will overload some of the contact surfaces, thus significantly reducing the service life (↳ **fig. 1**).

Ewellix linear guidance components should be used to ensure correct alignment and to avoid non-axial loading. The parallelism of the screw shaft with the guiding devices must be checked carefully. If external linear guidance proves impractical, we suggest mounting the nut on trunnions or gimbals, and mounting the screw shaft on self-aligning bearings.

Mounting the screw in tension helps to align it properly and eliminates buckling.

## Lubrication

Good lubrication is essential for the proper operation and long term reliability of the ball screw assembly. If necessary, please consult Ewellix.

Before shipping, the complete ball screw assembly is coated with a protective fluid that dries to a film. This protective film is not a lubricant. Depending on the lubricant selected for the application, it may be necessary to remove the protective film before applying the lubricant in order to eliminate any risk of incompatibility. In such cases, we recommend the following procedure:

- 4.2.1.** Dip the ball screw assembly into a solvent
- 4.2.2.** Shake and rotate the assembly to allow the solvent to penetrate
- 4.2.3.** Remove the assembly from the solvent and allow the solvent to drain.

## Removing the nut / assembling the nut on the shaft

### Removing the nut from the screw shaft

If possible, do not remove the nut from the shaft, especially for preloaded assemblies.

If the nut must be removed from the shaft, i.e. for shaft end machining, check the nut orientation before disassembly.

Never unscrew the nut from the shaft without a mandrel or sleeve to prevent the balls from falling off the nut (↳ fig. 6).

Once the nut is engaged on the sleeve, use a tie wrap to secure the nut assembly (↳ fig. 5).

### Fitting sleeved nut onto screw shaft

Sleeved nuts should not be removed from the sleeve until final assembly.

- 4.2.1. Remove the retaining strap (↳ fig. 5)
- 4.2.2. Check the assembly drawing to confirm the nut orientation
- 4.2.3. Hold the sleeve against the ball track of the screw shaft and smoothly engage the ball nut (↳ fig. 6)
 

If the sleeve does not cover the diameter next to the ball track (for example, the sleeve bore diameter is smaller than the screw shaft end), then adhesive tape can be used to match the shaft end to the sleeve outer diameter.

Otherwise, the sleeve can be held against the un-machined end, if available, with extreme care to prevent the balls from falling off the nut
- 4.2.4. Without using force, completely engage the nut in the screw thread, and run the nut to full engagement on the screw shaft.

Fig. 5



## Wiper assembly

If optional wipers have been ordered, please refer to the fitting instructions enclosed with the shipment.

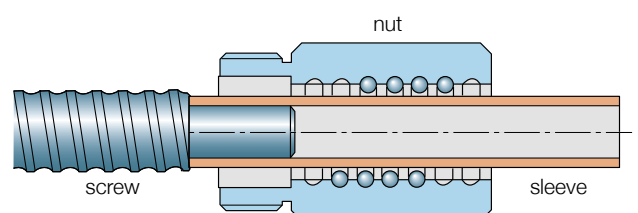
## Starting-up the screw

After the assembly has been cleaned, fitted and lubricated, allow the nut to make several full strokes at low speed (< 50 rpm) and light load (not to exceed 5% of the ball screw dynamic carrying capacity) in order to check the proper positioning of the limit switches or reversing mechanism. Then, normal load and speed can be applied.

### Note:

Instructions for most operations such as fitting a nut onto a screw shaft, a wiper onto a nut, etc. are available in separate sheets delivered with the product. Please refer to them before assembling the screw.

Fig. 6



# Service range

Quick service for precision rolled ball screws

For reduced delivery time, Ewellix operates quick service facilities in Europe and in North America, where standard screw shafts, nuts and accessories are stocked.

## Ball screw orders

- Customers can order ball screws with the following options:**
- Stock items of screws shafts and nuts, without machined ends. Nuts with axial play mounted on screw shaft, or on sleeve. Nuts with backlash elimination or with preload mounted on shaft
  - Ball screw assemblies with shaft ends machined according to standard ends as defined in this catalogue
  - Ball screw assemblies with shaft ends machined according to customer requirements: In this case, please send a drawing with all dimensional and tolerance requirements, and with all specifications written in English
  - Complete ball screw assemblies, including accessories presented in this catalogue. Accessories already mounted on nut or shaft, or delivered separately.

## General rules

- Delivery time**
- From a couple of days to maximum two weeks is possible for orders fulfilling the following conditions
  - Maximum 5 pieces for types SX/BX – SND/BND/PND – SN/BN/PN – SL/TL – SLD/TLD (delivered with wipers)

- Quantity**
- Maximum 15 pieces for types SD/BD/SH

- Materials**
- Both shaft and nut should be made of standard steel, as stated in the present catalogue

- Capabilities**
- Standard nuts, including DIN nuts
  - Screw shafts machined according to customer drawing
  - Backlash elimination by oversized balls available for BD – BX – BND/BN
  - Preload available for PND/PN – TL/TLD
  - General precision on tolerances ISO IT7 (ISO 3408-3:2006)
  - One nut per screw shaft

- Other conditions for quick delivery**
- Rotating nut SLT/TLT types are excluded from this program
  - Stainless steel or special treatments, including annealed shaft ends, splines are excluded from this program
  - Material certificates, special reports, or orders that require special procedure and approval by the French authorities are excluded for this program.

## Available range

Diameter	Lead	Nut types	Lead precision	Accessories
From 6 to 63 mm	From 2 to 50 mm	Cylindrical and flanged nuts with axial play, backlash elimination, or preload, Ewellix designs or DIN designs	G5 – G7 – G9	Flanges for nuts, and ball screw support bearings



# Design calculation and inquiry form

## Customer and project information

Company name .....

Address .....

Contact name ..... Phone number .....

Email ..... Website .....

Project name.....

Application type .....

Short description of application  
(please attach a sketch if possible) .....

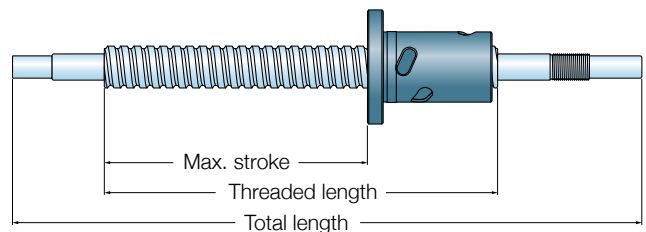
Annual ball screw requirements  
and start of production date .....

Prototype requirements  
and suitable delivery date .....

For existing or modified application,  
type of ball screw already used .....

## Ball screw data

Design parameter	Value
Maximum stroke [mm]	.....
Threaded length [mm]	.....
Total length [mm]	.....
Pre-selection of screw shaft nominal diameter $d_0$ [mm]	.....
Pre-selection of lead $P_h$ [mm]	.....
Pre-selection of nut type	.....
Lead precision grade according to ISO 3408 .....	.....
Pre-selection of axial play, backlash elimination or preload	.....
If axial play is selected, preferred min/max range [ $\mu\text{m}$ ]	.....
Request for accessories (flanges, support bearings, etc.)	.....
Other pertinent information	.....



**Operating conditions**

**Maximum loads**

- Maximum static load or shock load [N] .....
- Maximum dynamic load in tension [N] .....
- Maximum dynamic load in compression [N] .....
  
- Average linear speed [m/min] .....
- Maximum linear speed [m/min] .....
- Maximum acceleration [m/s<sup>2</sup>] .....

**Lubrication**

- Brand name .....
- Type .....
- Viscosity at average operating temperature [cSt] .....

**Operating temperature**

- Minimum [°C] .....
- Average [°C] .....
- Maximum [°C] .....

**Required service life**

- Travel [m] .....
- Or revolutions [rev] .....
- Or duration [hours] .....

**Duty cycle description**




Step	Axial force [N]	Speed, either rotational speed [rpm] or linear speed [m/minute]	Travel [mm]
1	.....	.....	.....
2	.....	.....	.....
3	.....	.....	.....
4	.....	.....	.....
5	.....	.....	.....
Etc.	.....	.....	.....

**Mounting conditions**

Position of the screw  Vertical  Horizontal

Rotating part  Screw  Nut

Screw end fixing conditions

N		(fixed, free)
N		(fixed, radial support)
N		(fixed, fixed)

**Other pertinent information**

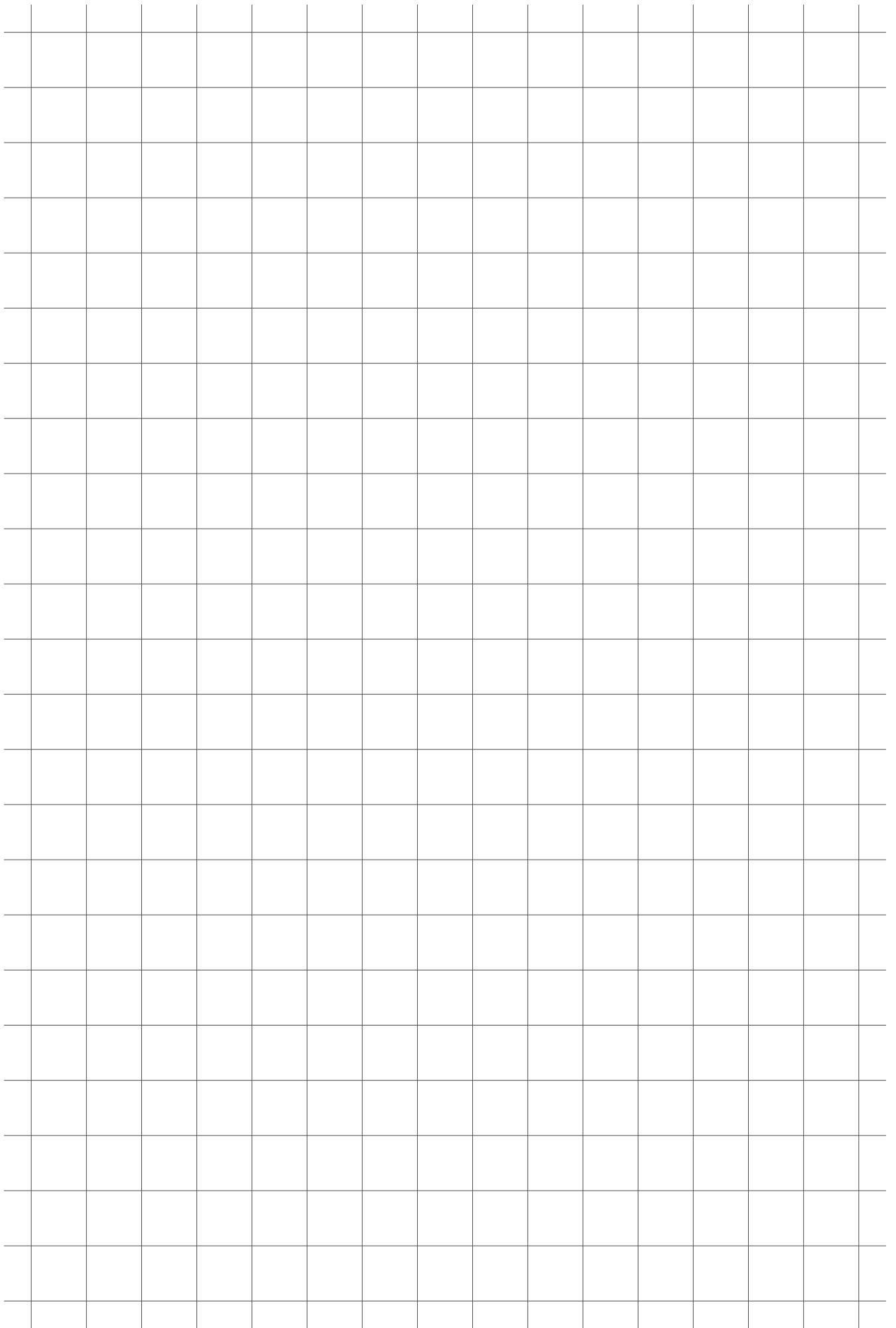
.....

.....

.....

.....

Ball screw catalogue, ball screw 2D prints and 3D models are available on [www.ewellix.com](http://www.ewellix.com)  
 Please send inquiry form to your Ewellix sales office. For contact information, please visit [www.ewellix.com](http://www.ewellix.com)





侯磊, 18072709166,  
houlei@brjdkj.com  
杭州博瑞机电科技有限公司  
杭州市滨江区庙后王路251号  
全量科创园160-2号

**ewellix.com**

© Ewellix

All contents of this publication are the property of Ewellix, and may not be reproduced or given to third parties (even extracts) without permission. Although great care has been taken in the production of this catalog, Ewellix does not take any responsibility for damage or other loss resulting from omissions or typographical errors. The photo may differ slightly in appearance from the actual product. Due to continuous improvements being made in our products, the product's appearance and specifications are subject to change without notice.

PUB IL-05004/1-EN-July 2020

Certain image(s) used under license from Shutterstock.com.  
SKF and SKF logo are trademarks of the SKF Group